



Performance YOU CAN Trust



PRODUCT CATALOGUE 2019

Numatic
INTERNATIONAL

50
1969-2019

Numatic International Limited

PERFORMANCE YOU CAN TRUST

“ Over the last **50 years**, Numatic has continued to **grow, innovate, learn and develop**, and we will continue to do so, day after day. ”

We have been building vacuum cleaners since 1969, and although our designs may be built slightly differently now, there is one thing they all have in common – the same core values of innovation, quality, reliability and price.

These values, combined with our commitment to producing professional, powerful and highly-efficient products, help us to increase productivity and cleaning standards for all industries, right across the globe. All of our customers have different needs and we provide a service catering specifically to each sector.





We all demand ever increasing standards of cleanliness, hygiene and safety. Numatic offers the complete cleaning solution, providing performance you can trust, productivity you can rely on, and products that are built to last.

BUILT FOR PRODUCTIVITY



We continually adapt, develop and streamline our products and processes to ensure optimum **cleaning PRODUCTIVITY**. New to the range...

The **ECO-Matic trolley range** offers great value, no-compromise cleaning systems, sustainably built from high-quality material.

NEW



Page 42-43

The **Nu-Design configurator** enables users to specify a cleaning system that suits their needs completely, with no detail overlooked.

Nu-Design



Page 48-49

TradeLine and **HZC** machines provide advanced filtration and ease of use for those working with fine dusts and hazardous substances.

NEW



Page 26-27

The **Nu-Assist App** gives users instant access to machine operation, troubleshooting and maintenance content, straight from their mobile phone.



Page 36-37

HomeCare p6-13

The familiar faces of Henry and Friends bring reliability, quality and professional cleaning to every home.



CleanCare p14-23

Quality and cleaning innovation from the world's most popular, professional vacuum. CleanCare brings power, performance and reliability to our commercial cleaning product range.



ProCare p24-29

Providing performance you can trust, delivering enhanced filtration where it is needed most. Advanced professional cleaning for the collection and control of dust and hazardous substances.

FloorCare p30-37

Providing professional cleaning results in even the most demanding environments, with innovative, reliable and effective floorcare solutions.



VersaCare p38-55

Versatility, innovation and quality are at the core of our janitorial cleaning systems. Attention to detail and practical engineering ensure complete customer satisfaction in function, operation and convenience.



HomeCare

THE FACE OF PROFESSIONAL CLEANING

- ✓ More than 10 million made and most still in use today
- ✓ Independently rated the UK's most reliable vacuum brand
- ✓ Built to last
- ✓ Powerful cleaning
- ✓ Energy efficient





Henry 160 Line	8
Henry Hi-Line	8-9
Henry HepaFlo Bags	9
Henry / Hetty SprayMop	9
HomeCare Accessories	10-13

Cordless



DIY



Family and Pet Care



Emergency Clean-ups



Henry 160



Henry HVR160

- Carpets, hard-floors, cars, stairs, DIY
- Handy on-board tool storage
- Emptying with no dust and no mess
- 320x340x345mm (WxLxH)

CAPACITY (L)	6	WEIGHT (KG)	7.5
POWER CORD (M)	10	POWER (Volts AC/Hz)	230 / 50/60
MOTOR (W)	620	CLEANING RANGE (M)	26.1
SUCTION H ₂ O (MM)	2300	KIT (See page 11)	AS0



Hetty HET160

- Carpets, hard-floors, cars, stairs, DIY
- Handy on-board tool storage
- Emptying with no dust and no mess
- 320x340x345mm (WxLxH)

CAPACITY (L)	6	WEIGHT (KG)	7.5
POWER CORD (M)	10	POWER (Volts AC/Hz)	230 / 50/60
MOTOR (W)	620	CLEANING RANGE (M)	26.1
SUCTION H ₂ O (MM)	2300	KIT (See page 11)	AS0



Henry Cordless HVB160 1 & 2 Battery

- Power boost for more demanding clean-ups
- 3.5hr quick charge
- Handy on-board tool storage
- Emptying with no dust and no mess
- 320x340x320mm (WxLxH)

CAPACITY (L)	6	WEIGHT (KG)	6.4
MOTOR (W)	250	RUNTIME 1 BATTERY (MIN)	Hi 20 / Lo 30
		RUNTIME 2 BATTERY (MIN)	Hi 40 / Lo 60
SUCTION H ₂ O (MM)	1200	POWER (Lithium Bat. Volts)	36
CHARGE TIME (HRS)	3.5	KIT (See page 12)	AS29E



Great for PETS



Henry Petcare HPC160

- Powerful AiroBrush for stubborn pet hairs on carpets
- Compact AiroBrush140 tackles pet hairs in the car and on the stairs
- Carpets, hard-floors, cars, stairs, DIY
- Handy on-board tool storage
- Emptying with no dust and no mess
- 320x340x345mm (WxLxH)

CAPACITY (L)	6	WEIGHT (KG)	7.5
POWER CORD (M)	10	POWER (Volts AC/Hz)	230 / 50/60
MOTOR (W)	620	CLEANING RANGE (M)	26.1
SUCTION H ₂ O (MM)	2300	KIT (See page 11)	HS0



Henry Xtra HVX160

- Powerful AiroBrush for carpets
- Specialist Hard Floor Tool
- Carpets, hard-floors, cars, stairs, DIY
- Handy on-board tool storage
- Emptying with no dust and no mess
- 320x340x345mm (WxLxH)

CAPACITY (L)	6	WEIGHT (KG)	7.5
POWER CORD (M)	10	POWER (Volts AC/Hz)	230 / 50/60
MOTOR (W)	620	CLEANING RANGE (M)	26.1
SUCTION H ₂ O (MM)	2300	KIT (See page 11)	XS0



British Allergy APPROVED



Henry Allergy HVA160

- High-performance Combi Floor Tool
- Specialist FreeFlo Hard Floor Tool
- Advanced, 3-stage HepaFlo filtration
- Handy on-board tool storage
- Emptying with no dust, no mess, no allergens
- 320x340x350mm (WxLxH)

CAPACITY (L)	6	WEIGHT (KG)	7.7
POWER CORD (M)	10	POWER (Volts AC/Hz)	230 / 50/60
MOTOR (W)	620	CLEANING RANGE (M)	26.1
SUCTION H ₂ O (MM)	2300	KIT (See page 12)	AS9

Hi-Line Range



James JVP180

- Versatile toolkit and aluminium tube set
- Carpets, hard-floors, cars, stairs, DIY
- Convenient cable replacement system
- Handy on-board tool storage
- Emptying with no dust and no mess
- 340x365x360mm (WxLxH)

CAPACITY (L)	8	WEIGHT (KG)	6.0
POWER CORD (M)	10	POWER (Volts AC/Hz)	230 / 50/60
MOTOR (W)	620	CLEANING RANGE (M)	26.4
SUCTION H ₂ O (MM)	2300	KIT (See page 11)	AH0

HENRY Original

Henry Original
The original 200 series, a trusted and familiar face on the outside with the latest innovation inside.



Henry HVR200

- Versatile toolkit
- Carpets, hard-floors, cars, stairs, DIY
- Handy on-board tool storage
- Emptying with no dust and no mess
- 340x360x370mm (WxLxH)

CAPACITY (L)	9	WEIGHT (KG)	8.0
POWER CORD (M)	10	POWER (Volts AC/Hz)	230 / 50/60
MOTOR (W)	620	CLEANING RANGE (M)	26.4
SUCTION H ₂ O (MM)	2300	KIT (See page 11)	AS0



Hetty HET200

- Versatile toolkit
- Carpets, hard-floors, cars, stairs, DIY
- Handy on-board tool storage
- Emptying with no dust and no mess
- 340x360x370mm (WxLxH)

CAPACITY (L)	9	WEIGHT (KG)	8.0
POWER CORD (M)	10	POWER (Volts AC/Hz)	230 / 50/60
MOTOR (W)	620	CLEANING RANGE (M)	26.4
SUCTION H ₂ O (MM)	2300	KIT (See page 11)	AS0

Hi-Line Range



Great for PETS



Henry Petcare HPC200

- Powerful AiroBrush for stubborn pet hairs on carpets
- Compact AiroBrush140 tackles pet hairs in the car and on the stairs
- Carpets, hard-floors, cars, stairs, DIY
- Handy on-board tool storage
- Emptying with no dust and no mess
- 340x360x370mm (WxLxH)

CAPACITY (L)	9	WEIGHT (KG)	8.0
POWER CORD (M)	10	POWER (Volts AC/Hz)	230 / 50/60
MOTOR (W)	620	CLEANING RANGE (M)	26.4
SUCTION H ₂ O (MM)	2300	KIT (See page 11)	HS0



Best for CARPETS



Henry Xtra HVX200

- Powerful AiroBrush for carpets
- Specialist Hard Floor Tool
- Carpets, hard-floors, cars, stairs, DIY
- Handy on-board tool storage
- Emptying with no dust and no mess
- 340x360x370mm (WxLxH)

CAPACITY (L)	9	WEIGHT (KG)	8.0
POWER CORD (M)	10	POWER (Volts AC/Hz)	230 / 50/60
MOTOR (W)	620	CLEANING RANGE (M)	26.4
SUCTION H ₂ O (MM)	2300	KIT (See page 11)	XS0



Charles CVC370

- Versatile wet and dry toolkit
- Blocked sinks, showers, household leaks, spills, DIY, car, home
- 360x370x510mm (WxLxH)

CAPACITY (L) DRY	15	WEIGHT (KG)	9.0
CAPACITY (L) WET	9		
POWER CORD (M)	10	POWER (Volts AC/Hz)	230 / 50/60
MOTOR (W)	1060	CLEANING RANGE (M)	26.8
SUCTION H ₂ O (MM)	2400	KIT (See page 12)	A21A



George GVE370

- All-in-one wet, dry and extraction
- Revive carpets, clean hard-floors, refresh the sofa, valet the car, suck-up spills and even unblock the sink
- 360x370x510mm (WxLxH)

CAPACITY (L) DRY	15	WEIGHT (KG)	11.0
CAPACITY (L) WET	9		
POWER CORD (M)	10	POWER (Volts AC/Hz)	230 / 50/60
MOTOR (W)	1060	CLEANING RANGE (M)	26.8
SUCTION H ₂ O (MM)	2400	KIT (See page 12)	A26A



Shampoo CARPETS



Henry Wash HWW370

- Shampoo carpets, clean hard-floors
- Valet the car
- Emergency clean-ups and DIY
- 360x370x510mm (WxLxH)

CAPACITY (L) CLEAN	5	WEIGHT (KG)	15.3
CAPACITY (L) DIRTY	9		
POWER CORD (M)	10	POWER (Volts AC/Hz)	230 / 50/60
MOTOR (W)	960	CLEANING RANGE (M)	26.0
SUCTION H ₂ O (MM)	2400	KIT	AH6

Henry and Hetty SprayMops



Henry & Hetty SprayMop HM40

- Use dry or wet, with or without cleaning agents or disinfectant
- On-board liquid dispenser, foot or hand operated, ensures mop head can be maintained in a damp condition at all times, allowing larger areas to be cleaned without the use of a bucket

Henry HepaFlo Bags



Genuine Henry HepaFlo Bags NVM-1CH

- High-level, triple-layer filtration bags
- Emptying with no dust, no mess
- Delivers best performance and reliability for all models of Henry and Hetty (Dry use only)
- Available in 3, 5, 10, 30 packs
- 14 x 5 Bags Master Carton
- 8 x 10 Bags Master Carton



Genuine Henry Accessories

Don't settle for less.



Look out for the logo to make sure you're getting a **Genuine Henry Accessory** from the **UK's most reliable** vacuum brand.

Henry HepaFlo Bags

No Dust, No Mess - Henry's innovative self-seal tab locks all the dust in the bag, meaning emptying with no dust and no mess.

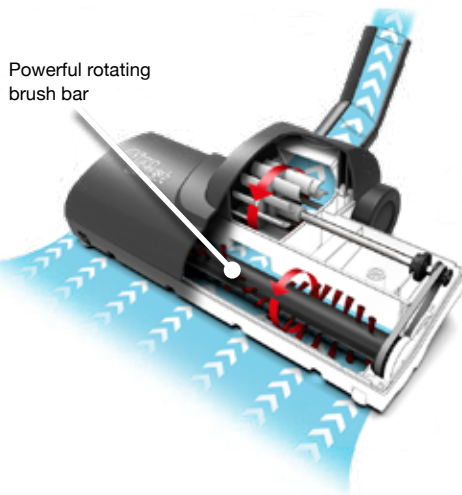
- 907076 5 Pack (NVM-1CH) Henry HepaFlo Filter Bags
- 907075 10 Pack (NVM-1CH) Henry HepaFlo Filter Bags
- 907167 14 x 5 Bags Master Carton
- 907166 8 x 10 Bags Master Carton



AiroBrush

Perfect for pet hair – easily picks-up stubborn pet hairs for powerful cleaning results on carpets.

- Powerful Carpet Cleaning - The AiroBrush takes carpet cleaning to the next level. Driven by the machine's powerful airflow, the rotating brush bar leaves nothing in its tracks.
- Perfect for Pets - The powerful AiroBrush is on-hand for picking-up stubborn pet hairs from carpets and stairs.
- The AiroBrush is the perfect fit for our vacuums, ensuring the very best cleaning results. The AiroBrush will fit any of the Henry Family, but is for dry use only.



Pro Accessory Kit

The Henry ProKit has been designed to provide the best possible and most convenient cleaning results from your Henry.

The tools included will fit any Henry / Hetty model, but are intended for dry use only.

- AiroBrush - Perfect for pet owners – easily picks-up stubborn pet hairs for powerful cleaning results on carpets.
- AiroBrush140 - Compact, lightweight and powerful design for tackling stubborn pet hairs in smaller areas on the stairs, sofa, in the car, and much more.
- Hard Floor Tool - Lightweight, powerful in use, and engineered to provide peak suction performance on hard-floors.



AHO Kit 903754



903712	2.2m FloMax Conical Hose	902923	270mm ProFlo Combination Floor Tool	601144	65mm Soft Dusting Brush
601051	Aluminium Tube Bend with NPC Volume Control	601141	Double Taper Hose / Tool Adaptor	601145	150mm Upholstery Tool
601024	Aluminium Extension Tube (x2)	601142	240mm Crevice Tool	601146	150mm Slide-on Brush for Upholstery Tool

ASO Kit 903146



601008	Stainless Steel Extension Tube (x2)	902923	270mm ProFlo Combination Floor Tool	601144	65mm Soft Dusting Brush
601052	Stainless Steel Tube Bend with NPC Volume Control	601141	Double Taper Hose / Tool Adaptor	601145	150mm Upholstery Tool
903712	2.2m FloMax Conical Hose	601142	240mm Crevice Tool	601146	150mm Slide-on Brush for Upholstery Tool

HSO Kit 909145




903712	2.2m FloMax Conical Hose	907424	Airo 270mm Easy Ride Turbo Brush	601144	65mm Soft Dusting Brush
601052	Stainless Steel Tube Bend with NPC Volume Control	907475	Airo 140mm Hand Turbo Brush	601145	150mm Upholstery Tool
601008	Stainless Steel Extension Tube (x2)	601141	Double Taper Hose / Tool Adaptor	601146	150mm Slide-on Brush for Upholstery Tool
902923	270mm ProFlo Combination Floor Tool	601142	240mm Crevice Tool		

XS0 Kit 909146



903712	2.2m FloMax Conical Hose	907424	Airo 270mm Easy Ride Turbo Brush	601144	65mm Soft Dusting Brush
601052	Stainless Steel Tube Bend with NPC Volume Control	900918	300mm MultiFlo Dry Brush Tool	601145	150mm Upholstery Tool
601008	Stainless Steel Extension Tube (x2)	601141	Double Taper Hose / Tool Adaptor	601146	150mm Slide-on Brush for Upholstery Tool
902923	270mm ProFlo Combination Floor Tool	601142	240mm Crevice Tool		

AS29E Kit 904251



903712	2.2m FloMax Conical Hose	902072	270mm Single Slot Floor Tool	601144	65mm Soft Dusting Brush
601052	Stainless Steel Tube Bend	601141	Double Taper Hose / Tool Adaptor	601145	150mm Upholstery Tool
601008	Stainless Steel Extension Tube (x2)	601142	240mm Crevice Tool	601146	150mm Slide-on Brush for Upholstery Tool

AS9 Kit 909193



903712	2.2m FloMax Conical Hose	601430	290mm FreeFlo Floor Tool	601145	150mm Upholstery Tool
601052	Stainless Steel Tube Bend with NPC Volume Control	601141	Double Taper Hose / Tool Adaptor	601146	150mm Slide-on Brush for Upholstery Tool
601008	Stainless Steel Extension Tube (x2)	601142	240mm Crevice Tool		
902923	270mm ProFlo Combination Floor Tool	601144	65mm Soft Dusting Brush		

A21A Kit 607221



601101	2.4m NuFlex Threaded Hose	900954	300mm MultiFlo Wet Pick-up Tool	601145	150mm Upholstery Tool
601025	Aluminium Tube Bend with (Black) Volume Control	601141	Double Taper Hose / Tool Adaptor	601146	150mm Slide-on Brush for Upholstery Tool
601024	Aluminium Extension Tube (x2)	601142	240mm Crevice Tool		
902071	300mm Combination Floor Tool	601144	65mm Soft Dusting Brush		

A26A Kit 607326



601010	1.9m NuFlex Bayonet Hose	601126	275mm Fishtail Extraction Tool	601141	Double Taper Hose / Tool Adaptor
601299	3.0m CleanTec Extraction Hose	907474	300mm Dual Scrub / Wet Pick-up Tool	604165	TriTex Filter for 12" / 305mm Machines
601009	Stainless Steel Extraction Trigger Bend Tube	601225	100mm Upholstery Extraction Tool	601145	150mm Wide Upholstery Tool
601006	Stainless Steel Lower Tool Extraction Tube	601968	CleanTec Trigger Valve and Spray Tube	601146	150mm Wide Slide-on Brush for Upholstery Tool
601008	Stainless Steel Extension Tube	601144	65mm Soft Dusting Brush		
902071	300mm Combination Floor Tool	601142	240mm Crevice Tool		



Genuine
Henry
ACCESSORIES
Don't settle for less



Genuine Henry Accessories
Don't settle for less.

CleanCare

PERFORMANCE YOU CAN TRUST FROM EUROPE'S NO.1

- ✓ Tough, professional-grade construction
- ✓ Powerful, long-life motors
- ✓ Huge range of accessories for every task
- ✓ Designed, engineered and made in the U.K
- ✓ Tried and trusted from Europe's No.1 cleaning equipment manufacturer



ProLine 16-17
Cordless 17
Steel Top Line 18
RucSac Line 19
Micro Line 19
Dry Commercial Line 19
Professional Wet Vac Line 20-21
Accessories 22-23



Healthcare



Hospitality



Education



Transportation



ProLine Range

CABLE MANAGEMENT and Plugged Cable



PSP180

- Carpets, hard-floors, cars, stairs, DIY
- Handy on-board tool storage
- Professional accessory kit
- 340x365x360mm (WxLxH)

CAPACITY (L)	8	WEIGHT (KG)	6.0
POWER CORD (M)	10	POWER (Volts AC/Hz)	230 / 50/60
MOTOR (W)	620	CLEANING RANGE (M)	26.4
SUCTION H ₂ O (MM)	2300	KIT (See page 11)	AHO



PSP240

- Carpets, hard-floors, cars, stairs, DIY
- Bumper for wall and door protection
- Handy on-board tool storage
- Professional accessory kit
- 360x370x415mm (WxLxH)

CAPACITY (L)	9	WEIGHT (KG)	8.0
POWER CORD (M)	10	POWER (Volts AC/Hz)	230 / 50/60
MOTOR (W)	620	CLEANING RANGE (M)	26.4
SUCTION H ₂ O (MM)	2300	KIT (See page 11)	AHO

CONTRACTORS' Choice



PSP370

- Carpets, hard-floors, cars, stairs, DIY
- Bumper for wall and door protection
- Handy on-board tool storage
- Professional accessory kit
- 360x370x510mm (WxLxH)

CAPACITY (L)	15	WEIGHT (KG)	9.0
POWER CORD (M)	10	POWER (Volts AC/Hz)	230 / 50/60
MOTOR (W)	620	CLEANING RANGE (M)	26.4
SUCTION H ₂ O (MM)	2300	KIT (See page 11)	AHO

NEW



Henry HVR170

- Versatile toolkit
- Carpets, hard-floors, cars, stairs, DIY
- Bumper for wall and door protection
- Handy on-board tool storage
- Emptying with no dust and no mess
- 360x370x390mm (WxLxH)

CAPACITY (L)	7.2	WEIGHT (KG)	8.0
POWER CORD (M)	10	POWER (Volts AC/Hz)	230 / 50/60
MOTOR (W)	620	CLEANING RANGE (M)	26.4
SUCTION H ₂ O (MM)	2300	KIT (See page 11)	ASO

NEW



NVR170

- Versatile toolkit
- Carpets, hard-floors, cars, stairs, DIY
- Bumper for wall and door protection
- Handy on-board tool storage
- Emptying with no dust and no mess
- 360x370x390mm (WxLxH)

CAPACITY (L)	7.2	WEIGHT (KG)	8.0
POWER CORD (M)	10	POWER (Volts AC/Hz)	230 / 50/60
MOTOR (W)	620	CLEANING RANGE (M)	26.4
SUCTION H ₂ O (MM)	2300	KIT (See page 11)	ASO

HENRY Original

Henry Original
The original 200 series, a trusted and familiar face on the outside with the latest innovation inside.



Henry HVR200

- Versatile toolkit
- Carpets, hard-floors, cars, stairs, DIY
- Handy on-board tool storage
- Emptying with no dust and no mess
- 340x360x370mm (WxLxH)

CAPACITY (L)	9	WEIGHT (KG)	8.0
POWER CORD (M)	10	POWER (Volts AC/Hz)	230 / 50/60
MOTOR (W)	620	CLEANING RANGE (M)	26.4
SUCTION H ₂ O (MM)	2300	KIT (See page 11)	ASO

COMMITTED TO Sustainable Cleaning



Henry HVR240

- Carpets, hard-floors, cars, stairs, DIY
- Bumper for wall and door protection
- Handy on-board tool storage
- Emptying with no dust and no mess
- 360x370x415mm (WxLxH)

CAPACITY (L)	9	WEIGHT (KG)	9.0
POWER CORD (M)	10	POWER (Volts AC/Hz)	230 / 50/60
MOTOR (W)	620	CLEANING RANGE (M)	26.4
SUCTION H ₂ O (MM)	2300	KIT (See page 11)	ASO



NRP240

- High-efficiency, economical cleaning
- Bumper for wall and door protection
- Unique plugged cable rewind system
- Emptying with no dust and no mess
- 360x370x415mm (WxLxH)

CAPACITY (L)	9	WEIGHT (KG)	9.0
POWER CORD (M)	12.5	POWER (Volts AC/Hz)	230 / 50/60
MOTOR (W)	420	CLEANING RANGE (M)	31.4
SUCTION H ₂ O (MM)	2300	KIT (See page 11)	ASO

CONTRACTORS' Choice



PPR240

- Professional accessory kit
- Bumper for wall and door protection
- Long cleaning reach
- Emptying with no dust and no mess
- 360x370x415mm (WxLxH)

CAPACITY (L)	9	WEIGHT (KG)	9.0
POWER CORD (M)	12.5	POWER (Volts AC/Hz)	230 / 50/60
MOTOR (W)	620	CLEANING RANGE (M)	31.4
SUCTION H ₂ O (MM)	2300	KIT (See page 11)	ASO



PPR370

- Professional accessory kit
- Bumper for wall and door protection
- Long cleaning reach
- Emptying with no dust and no mess
- 360x370x510mm (WxLxH)

CAPACITY (L)	15	WEIGHT (KG)	10.0
POWER CORD (M)	12.5	POWER (Volts AC/Hz)	230 / 50/60
MOTOR (W)	620	CLEANING RANGE (M)	31.4
SUCTION H ₂ O (MM)	2300	KIT (See page 11)	AS0

HANDY Trolley Design



PPT220

- Convenient, lift-off storage caddy
- Telescopic handle for ease of transit and storage
- Large rear wheels for ease of use on stairways
- 355x355x615mm (WxLxH)

CAPACITY (L)	9	WEIGHT (KG)	12.3
POWER CORD (M)	12.5	POWER (Volts AC/Hz)	230 / 50/60
MOTOR (W)	620	CLEANING RANGE (M)	31.4
SUCTION H ₂ O (MM)	2300	KIT (See page 11)	AS0



PPT390

- Convenient, lift-off storage caddy
- Telescopic handle for ease of transit and storage
- Large rear wheels for ease of use on stairways
- 355x355x655mm (WxLxH)

CAPACITY (L)	15	WEIGHT (KG)	12.6
POWER CORD (M)	12.5	POWER (Volts AC/Hz)	230 / 50/60
MOTOR (W)	620	CLEANING RANGE (M)	31.4
SUCTION H ₂ O (MM)	2300	KIT (See page 11)	AS0

Cordless Range

NEW



NVB170 1 & 2 Battery

- Convenient off-board charging system
- 3.5hr quick charge
- LCD charge indicator
- Emptying with no dust and no mess
- 360x370x390mm (WxLxH)

CAPACITY (L)	7.2	RUNTIME 1 BATTERY (MIN)	Hi 20 / Lo 30
MOTOR (W)	250	RUNTIME 2 BATTERY (MIN)	Hi 40 / Lo 60
SUCTION H ₂ O (MM)	1000	POWER (Lithium Bat. Volts)	36
WEIGHT (KG)	6.88	KIT (See page 12)	AS29E



NBV190 1 & 2 Battery

- Convenient off-board charging system
- 3.5hr quick charge
- LCD charge indicator
- Emptying with no dust and no mess
- 340x340x340mm (WxLxH)

CAPACITY (L)	8	RUNTIME 1 BATTERY (MIN)	Hi 40 / Lo 60
MOTOR (W)	250	RUNTIME 2 BATTERY (MIN)	Hi 80 / Lo 120
SUCTION H ₂ O (MM)	1000	POWER (Lithium Bat. Volts)	36
WEIGHT (KG)	7.72	KIT (See page 22)	AA29E



NBV240 1 & 2 Battery

- Convenient off-board charging system
- 3.5hr quick charge
- LCD charge indicator
- Bumper for wall and door protection
- Handy on-board tool storage
- 360x370x415mm (WxLxH)

CAPACITY (L)	9	RUNTIME 1 BATTERY (MIN)	Hi 40 / Lo 60
MOTOR (W)	250	RUNTIME 2 BATTERY (MIN)	Hi 80 / Lo 120
SUCTION H ₂ O (MM)	1000	POWER (Lithium Bat. Volts)	36
WEIGHT (KG)	8.24	KIT (See page 22)	AA29E



PBT230 1 & 2 Battery

- Convenient, lift-off storage caddy
- Telescopic handle for ease of transit and storage
- 3.5hr quick charge
- LCD charge indicator
- Bumper for wall and door protection
- 355x355x615mm (WxLxH)

CAPACITY (L)	9	RUNTIME 1 BATTERY (MIN)	Hi 40 / Lo 60
MOTOR (W)	250	RUNTIME 2 BATTERY (MIN)	Hi 80 / Lo 120
SUCTION H ₂ O (MM)	1000	POWER (Lithium Bat. Volts)	36
WEIGHT (KG)	10.35	KIT (See page 22)	AA29E



RSB140 1 & 2 Battery

- Convenient off-board charging system
- 3.5hr quick charge
- LCD charge indicator
- User comfort with ergonomic harness
- Emptying with no dust and no mess
- 250x360x550mm (WxLxH)

CAPACITY (L)	6	RUNTIME 1 BATTERY (MIN)	Hi 40 / Lo 60
MOTOR (W)	250	RUNTIME 2 BATTERY (MIN)	Hi 80 / Lo 120
SUCTION H ₂ O (MM)	1000	POWER (Lithium Bat. Volts)	36
WEIGHT (KG)	8.67	KIT (See page 23)	AA30E

Steel Top Range



NVQ240

- Heavy-duty, all steel power head
- Quick and easy cable replacement
- Professional accessory kit
- 360x370x415mm (WxLxH)

CAPACITY (L)	9	WEIGHT (KG)	9.65
POWER CORD (M)	10	POWER (Volts AC/Hz)	230 / 50/60
MOTOR (W)	780	CLEANING RANGE (M)	26.4
MOTOR ONLY AIRFLOW (L/SEC)	48	KIT (See page 11)	AS0
SUCTION H ² O (MM)	2350		



NVQ370

- Heavy-duty, all steel power head
- Quick and easy cable replacement
- Professional accessory kit
- 355x355x485mm (WxLxH)

CAPACITY (L)	15	WEIGHT (KG)	10.0
POWER CORD (M)	10	POWER (Volts AC/Hz)	230 / 50/60
MOTOR (W)	780	CLEANING RANGE (M)	26.4
MOTOR ONLY AIRFLOW (L/SEC)	48	KIT (See page 11)	AS0
SUCTION H ² O (MM)	2350		

TOUGH Structofoam



NVQ380

- Heavy-duty, all steel power head
- Quick and easy cable replacement
- Professional accessory kit
- 355x355x485mm (WxLxH)

CAPACITY (L)	15	WEIGHT (KG)	11.35
POWER CORD (M)	10	POWER (Volts AC/Hz)	230 / 50/60
MOTOR (W)	780	CLEANING RANGE (M)	26.4
MOTOR ONLY AIRFLOW (L/SEC)	48	KIT (See page 11)	AS0
SUCTION H ² O (MM)	2350		

ALL Steel



NQS250

- All steel construction, tough and hard-wearing
- Quick and easy cable replacement
- Professional accessory kit
- 355x355x395mm (WxLxH)

CAPACITY (L)	9	WEIGHT (KG)	10.0
POWER CORD (M)	10	POWER (Volts AC/Hz)	230 / 50/60
MOTOR (W)	780	CLEANING RANGE (M)	26.4
MOTOR ONLY AIRFLOW (L/SEC)	43	KIT (See page 11)	AS0
SUCTION H ² O (MM)	2350		

With BLOW OUTLET



NQS250B

- All steel construction, tough and hard-wearing
- Blower facility and diffuser attachment
- Quick and easy cable replacement
- Professional accessory kit
- 355x355x395mm (WxLxH)

CAPACITY (L)	9	WEIGHT (KG)	10.0
POWER CORD (M)	10	POWER (Volts AC/Hz)	230 / 50/60
MOTOR (W)	780	CLEANING RANGE (M)	26.4
MOTOR ONLY AIRFLOW (L/SEC)	43	KIT (See page 11)	AS0
SUCTION H ² O (MM)	2350		



AIRCRAFT Compliant



AVQ240

- Heavy-duty, all steel power head
- Patented Microtec noise reduction system
- Aircraft specification
- 355x355x485mm (WxLxH)

CAPACITY (L)	9	WEIGHT (KG)	10.62
POWER CORD (M)	18.2	POWER (Volts AC/Hz)	110 / 400
MOTOR (W)	960	CLEANING RANGE (M)	43.2
MOTOR ONLY AIRFLOW (L/SEC)	47	KIT (See page 23)	AS4
SUCTION H ² O (MM)	2500		



ALL Steel



AVQ250

- All steel construction, tough and hard-wearing
- Patented Microtec noise reduction system
- Aircraft specification
- 340x340x395mm (WxLxH)

CAPACITY (L)	9	WEIGHT (KG)	10.62
POWER CORD (M)	18.2	POWER (Volts AC/Hz)	110 / 400
MOTOR (W)	960	CLEANING RANGE (M)	43.2
MOTOR ONLY AIRFLOW (L/SEC)	47	KIT (See page 23)	AS4
SUCTION H ² O (MM)	2500		



AIRCRAFT Compliant



AVQ380

- Heavy-duty, all steel power head
- Patented Microtec noise reduction system
- Aircraft specification
- 355x355x485mm (WxLxH)

CAPACITY (L)	15	WEIGHT (KG)	11.82
POWER CORD (M)	18.2	POWER (Volts AC/Hz)	110 / 400
MOTOR (W)	960	CLEANING RANGE (M)	43.2
MOTOR ONLY AIRFLOW (L/SEC)	47	KIT (See page 23)	AS4
SUCTION H ² O (MM)	2500		

Europe's **No.1** commercial vacuum manufacturer
 ...Meeting the demands of cleaning professionals since 1969.

RucSac Line

ENHANCED
Harness 2019



RS130

- User comfort with ergonomically designed harness
- High-efficiency filtration
- 250x360x440mm (WxLxH)

CAPACITY (L)	6	WEIGHT (KG)	7.0
MOTOR (W)	620	POWER (Volts AC/Hz)	230 / 50/60
MOTOR ONLY AIRFLOW (L/SEC)	48	CLEANING RANGE (M)	31.4
SUCTION H ₂ O (MM)	2300	KIT (See page 22)	AS30



ENHANCED
Harness 2019



RS130

- Aircraft specification
- User comfort with ergonomically designed harness
- High-efficiency filtration
- 250x360x440mm (WxLxH)

CAPACITY (L)	6	WEIGHT (KG)	7.37
MOTOR (W)	960	POWER (Volts AC/Hz)	110 / 400
MOTOR ONLY AIRFLOW (L/SEC)	42	CLEANING RANGE (M)	43.2
SUCTION H ₂ O (MM)	2400	KIT (See page 22)	A30A

PRO HARNESS

- ✓ Perfect Working Position
- ✓ Lower Back Support
- ✓ Reduce Strain
- ✓ Handy Tool Storage



Micro Line

NEW

HEPA
Filtration



NVR170H

- Advanced 3-Stage filtration system
- H13 HEPA filtration module
- Compact and capable
- Emptying with no dust and no mess
- 360x370x390mm (WxLxH)

CAPACITY (L)	7.2	WEIGHT (KG)	8.2
POWER CORD (M)	10	POWER (Volts AC/Hz)	230 / 50/60
MOTOR (W)	620	CLEANING RANGE (M)	26.4
MOTOR ONLY AIRFLOW (L/SEC)	48	KIT	AS32
SUCTION H ₂ O (MM)	2300		

HEPA
Filtration



PPH320

- H13 HEPA filtration module
- Quick and easy cable replacement
- Emptying with no dust and no mess
- 355x355x465mm (WxLxH)

CAPACITY (L)	12	WEIGHT (KG)	10.0
POWER CORD (M)	12.5	POWER (Volts AC/Hz)	230 / 50/60
MOTOR (W)	620	CLEANING RANGE (M)	31.4
MOTOR ONLY AIRFLOW (L/SEC)	48	MOST PENETRATING PARTICLE REF EN1822	99.950%
SUCTION H ₂ O (MM)	2300	KIT (See page 11)	AS0

HEPA
Filtration



MFQ370

- H13 HEPA filtration module
- Quick and easy cable replacement
- Emptying with no dust and no mess
- 355x355x485mm (WxLxH)

CAPACITY (L)	15	WEIGHT (KG)	11.0
POWER CORD (M)	10	POWER (Volts AC/Hz)	230 / 50/60
MOTOR (W)	780	CLEANING RANGE (M)	26.4
MOTOR ONLY AIRFLOW (L/SEC)	48	MOST PENETRATING PARTICLE REF EN1822	99.950%
SUCTION H ₂ O (MM)	2300	KIT (See page 11)	AS0

Dry Commercial

CLEANROOM
Filtration



CRQ370

- H13 HEPA filtration module
- Advanced 5-Stage filtration system
- Quick and easy cable replacement
- Conforms to ISO 14644-1 Class 4 classification
- Emptying with no dust and no mess
- 355x355x485mm (WxLxH)

CAPACITY (L)	10	WEIGHT (KG)	11.5
POWER CORD (M)	10	POWER (Volts AC/Hz)	230 / 50/60
MOTOR (W)	960	CLEANING RANGE (M)	26.4
MOTOR ONLY AIRFLOW (L/SEC)	48	MOST PENETRATING PARTICLE REF EN1822	99.950%
SUCTION H ₂ O (MM)	2300	KIT	A1

TOUGH
Structfoam



NVQ570 / NVDQ570

- Tough Structfoam construction
- Directional castors for ease of movement
- Quick and easy cable replacement
- 415x415x645mm (WxLxH)

CAPACITY (L)	23	SUCTION H ₂ O (MM)	2300
POWER CORD (M)	10	WEIGHT (KG) NVQ570	16.5
MOTOR (W) NVQ570	960	WEIGHT (KG) NVDQ570	18.7
MOTOR (W) NVDQ570	960x2	POWER (Volts AC/Hz)	230 / 50/60
MOTOR ONLY AIRFLOW (L/SEC) NVQ570	48	CLEANING RANGE (M)	26.8
MOTOR ONLY AIRFLOW (L/SEC) NVDQ570	96	KIT (See page 23)	BA2

TOUGH
Structfoam



NVQ900 / NVDQ900

- Tough structfoam construction
- Large rear wheels provide excellent mobility
- Pull handle for ease of transit
- Quick and easy cable replacement
- 490x800x880mm (WxLxH)

CAPACITY (L)	40	SUCTION H ₂ O (MM)	2300
POWER CORD (M)	10	WEIGHT (KG)	25.2
MOTOR (W) NVQ900	960	WEIGHT (KG)	27.7
MOTOR (W) NVDQ900	960x2	POWER (Volts AC/Hz)	230 / 50/60
MOTOR ONLY AIRFLOW (L/SEC) NVQ900	48	CLEANING RANGE (M)	26.8
MOTOR ONLY AIRFLOW (L/SEC) NVDQ900	96	KIT (See page 23)	BA2



Professional Wet Vacs

BEST SELLING
Wet Vac

TOUGH
Structurofoam



CV570 / CVD570

- Wet and dry pick-up
- Washable filter system
- Heavy-duty Structurofoam construction
- 415x415x645mm (WxLxH)

CAPACITY (L)	13	SUCTION H ₂ O (MM)	2400
POWER CORD (M)	10	WEIGHT (KG) CV570	16.3
MOTOR (W) CV570	1060	WEIGHT (KG) CVD570	18.5
MOTOR (W) CVD570	1060x2	POWER (Volts AC/Hz)	230 / 50/60
MOTOR ONLY AIRFLOW (L/SEC) CV570	49	CLEANING RANGE (M)	26.8
MOTOR ONLY AIRFLOW (L/SEC) CVD570	98	KIT (See page 23)	BS8

TOUGH
Structurofoam



CV900 / CVD900

- Wet and dry pick-up
- Washable filter system
- Heavy-duty Structurofoam construction
- Convenient emptying
- 490x800x880mm (WxLxH)

CAPACITY (L)	30	SUCTION H ₂ O (MM)	2400
POWER CORD (M)	10	WEIGHT (KG) CV900	25.2
MOTOR (W) CV900	1060	WEIGHT (KG) CVD900	27.7
MOTOR (W) CVD900	1060x2	POWER (Volts AC/Hz)	230 / 50/60
MOTOR ONLY AIRFLOW (L/SEC) CV900	49	CLEANING RANGE (M)	26.8
MOTOR ONLY AIRFLOW (L/SEC) CVD900	98	KIT (See page 23)	BS8

WV370

- Wet or dry
- Compact and easy to store
- Lightweight with easy carry handle
- Convenient emptying
- 355x355x510mm (WxLxH)



CAPACITY (L) DRY	15	SUCTION H ₂ O (MM)	2400
CAPACITY (L) WET	9	WEIGHT (KG)	8.65
POWER CORD (M)	10	POWER (Volts AC/Hz)	230 / 50/60
MOTOR (W)	1060	CLEANING RANGE (M)	26.8
MOTOR ONLY AIRFLOW (L/SEC)	49	KIT (See page 22)	AA12

TOUGH
Structurofoam



WV380

- Wet or dry
- Compact and easy to store
- Lightweight with easy carry and emptying handles
- Tough Structurofoam construction
- 355x355x510mm (WxLxH)

CAPACITY (L) DRY	15	SUCTION H ₂ O (MM)	2400
CAPACITY (L) WET	9	WEIGHT (KG)	10.15
POWER CORD (M)	10	POWER (Volts AC/Hz)	230 / 50/60
MOTOR (W)	1060	CLEANING RANGE (M)	26.8
MOTOR ONLY AIRFLOW (L/SEC)	49	KIT (See page 22)	AA12



WV470

- Wet or dry
- Compact and capable
- Convenient folding transit handle
- Large rear wheels for ease of movement
- 358x450x710mm (WxLxH)

CAPACITY (L) DRY	27	SUCTION H ₂ O (MM)	2400
CAPACITY (L) WET	20	WEIGHT (KG)	11.15
POWER CORD (M)	10	POWER (Volts AC/Hz)	230 / 50/60
MOTOR (W)	1060	CLEANING RANGE (M)	26.8
MOTOR ONLY AIRFLOW (L/SEC)	49	KIT (See page 22)	AA12

TOUGH
Structurofoam



WV570 / WVD570

- Wet or dry
- Easy emptying
- Heavy-duty Structurofoam construction
- Convenient cable replacement system
- 415x415x645mm (WxLxH)

CAPACITY (L) DRY	23	SUCTION H ₂ O (MM)	2400
CAPACITY (L) WET	15	WEIGHT (KG) WV570	16.3
POWER CORD (M)	10	WEIGHT (KG) WVD570	18.5
MOTOR (W) WV570	1060	POWER (Volts AC/Hz)	230 / 50/60
MOTOR (W) WVD570	1060x2	CLEANING RANGE (M)	26.8
MOTOR ONLY AIRFLOW (L/SEC) WV570	49	KIT (See page 23)	BS8
MOTOR ONLY AIRFLOW (L/SEC) WVD570	98		

TOUGH
Structurofoam



WV900 / WVD900

- Wet or dry
- Easy empty tip handle
- Heavy-duty Structurofoam construction
- Convenient cable replacement system
- 490x800x880mm (WxLxH)

CAPACITY (L) DRY	40	SUCTION H ₂ O (MM)	2400
CAPACITY (L) WET	32	WEIGHT (KG) WV900	25.2
POWER CORD (M)	10	WEIGHT (KG) WVD900	28.0
MOTOR (W) WV900	1060	POWER (Volts AC/Hz)	230 / 50/60
MOTOR (W) WVD900	1060x2	CLEANING RANGE (M)	26.8
MOTOR ONLY AIRFLOW (L/SEC) WV900	49	KIT (See page 23)	BS8
MOTOR ONLY AIRFLOW (L/SEC) WVD900	98		

WVD1800AP
Auto Pump

AUTO EMPTY
Pump (AP only)

TOUGH
Structurofoam

WV1800DH / WVD1800DH / WVD1800AP

- Wet vac
- Easy emptying with rear dump hose
- Rear Auto Pump for continuous water extraction (AP model only)
- Heavy-duty Structurofoam construction
- Convenient cable replacement system
- 684x785x935mm (WxLxH)

CAPACITY (L) WET	70	SUCTION H ₂ O (MM)	2400
POWER CORD (M)	10	WEIGHT (KG) WV1800DH	31.5
MOTOR (W) WV1800DH	1060	WEIGHT (KG) WVD1800DH	34.0
MOTOR (W) WVD1800DH / AP	1060x2	WEIGHT (KG) WVD1800AP	40.4
MOTOR ONLY AIRFLOW (L/SEC) WV1800DH	49	POWER (Volts AC/Hz)	230 / 50/60
MOTOR ONLY AIRFLOW (L/SEC) WVD1800DH / AP	98	CLEANING RANGE (M)	26.8
MOTOR ONLY AIRFLOW (L/SEC) WVD1800DH	98	KIT (See page 23)	BS7

WVD2000AP
Auto Pump

TOUGH
Structurofoam

WVD2000DH / WVD2000AP

- Heavy duty steel chassis for ease of transit
- Easy emptying with rear dump hose
- Rear Auto Pump for continuous water extraction (AP model only)
- Heavy-duty Structurofoam head construction
- Convenient cable replacement system
- 640x530x970mm (WxLxH)

CAPACITY (L) WET	70	WEIGHT (KG) WVD2000DH	28.9
POWER CORD (M)	10	WEIGHT (KG) WVD2000AP	36.4
MOTOR (W) WVD2000DH / AP	1060x2	POWER (Volts AC/Hz)	230 / 50/60
MOTOR ONLY AIRFLOW (L/SEC) WVD2000DH / AP	98	CLEANING RANGE (M)	26.8
SUCTION H ₂ O (MM)	2400	KIT (See page 23)	BS7



PERFECT for Spill Clean-ups



WVB750 / WVBD750

- Wet or dry
- High-performance gel batteries
- On-board charger
- Large rear wheels for ease of transit
- 455x550x1025mm (WxLxH)

CAPACITY (L) DRY	31	RECHARGE TIME (HR)	10
CAPACITY (L) WET	22	RUNTIME (HR) WVB570	2.5
MOTOR (W) WVB750	430	RUNTIME (HR) WVBD570	1.25
MOTOR (W) WVBD750	860	POWER (Volts AC/Hz)	230 / 120 / 50/60
WEIGHT (KG) WVB750	70.2	KIT (See page 23)	BS8
WEIGHT (KG) WVBD750	72.2		



CT370

- Wet, spray extraction carpet cleaning, upholstery cleaning and car valeting
- Compact and easy to store
- Large rear wheels for ease of transit
- 355x355x510mm (WxLxH)

CAPACITY (L) DRY	15	WEIGHT (KG)	11.23
CAPACITY (L) WET	9		
POWER CORD (M)	10	POWER (Volts AC/Hz)	230 / 50/60
MOTOR (W)	1060	CLEANING RANGE (M)	26.8
SUCTION H ² O (MM)	2400	KIT (See page 22)	A40A



CT470

- Wet, spray extraction carpet cleaning, upholstery cleaning and car valeting
- Compact and easy to store
- Large rear wheels and folding handle for ease of transit
- 358x450x710mm (WxLxH)

CAPACITY (L) DRY	27	WEIGHT (KG)	14.4
CAPACITY (L) WET	20		
POWER CORD (M)	10	POWER (Volts AC/Hz)	230 / 50/60
MOTOR (W)	1060	CLEANING RANGE (M)	26.8
SUCTION H ² O (MM)	2400	KIT (See page 22)	A40A

TOUGH Structofoam



CT570 / CTD570

- Wet, spray extraction carpet cleaning, upholstery cleaning and car valeting
- Heavy-duty Structofoam construction
- Convenient cable replacement system
- 415x415x645mm (WxLxH)

CAPACITY (L) DRY	23	SUCTION H ² O (MM)	2400
CAPACITY (L) WET	15	WEIGHT (KG) CT570	18.98
POWER CORD (M)	10	WEIGHT (KG) CTD570	20
MOTOR (W) CT570	1060	POWER (Volts AC/Hz)	230 / 50/60
MOTOR (W) CTD570	1060x2	CLEANING RANGE (M)	26.8
MOTOR ONLY AIRFLOW (L/SEC) CT570	49	KIT (See page 22)	A41A
MOTOR ONLY AIRFLOW (L/SEC) CTD570	98		

TOUGH Structofoam



CT900 / CTD900

- Wet, spray extraction carpet cleaning, upholstery cleaning and car valeting
- Heavy-duty Structofoam construction
- Easy emptying with tip handle
- 800x490x880mm (WxLxH)

CAPACITY (L) DRY	40	SUCTION H ² O (MM)	2400
CAPACITY (L) WET	32	WEIGHT (KG) CT900	25.28
POWER CORD (M)	10	WEIGHT (KG) CTD900	27.78
MOTOR (W) CT900	1060	POWER (Volts AC/Hz)	230 / 50/60
MOTOR (W) CTD900	1060x2	CLEANING RANGE (M)	26.8
MOTOR ONLY AIRFLOW (L/SEC) CT900	49	KIT (See page 22)	A41A
MOTOR ONLY AIRFLOW (L/SEC) CTD900	98		

TOUGH Structofoam



NHL15

- Carpet cleaning and upholstery / spot cleaning tools
- Uniform fluid distribution with TriJet carpet extraction
- Hi-Lo system for pressure when you need it
- 435x425x725mm (WxLxH)

CAPACITY (L) WET	15	WEIGHT (KG)	35
POWER CORD (M)	10	POWER (Volts AC/Hz)	230 / 50/60
MOTOR (W)	1060	CLEANING RANGE (M)	26.8
MOTOR ONLY AIRFLOW (L/SEC)	49	KIT (See page 23)	BS27
SUCTION H ² O (MM)	2400		



CT900 / CTD900 Tip empty system



TriJet Carpet Cleaning

- Uniform fluid distribution
- Easy pull-back movement
- Heavy-duty, aluminium construction

NHL15



A30A Kit 607817



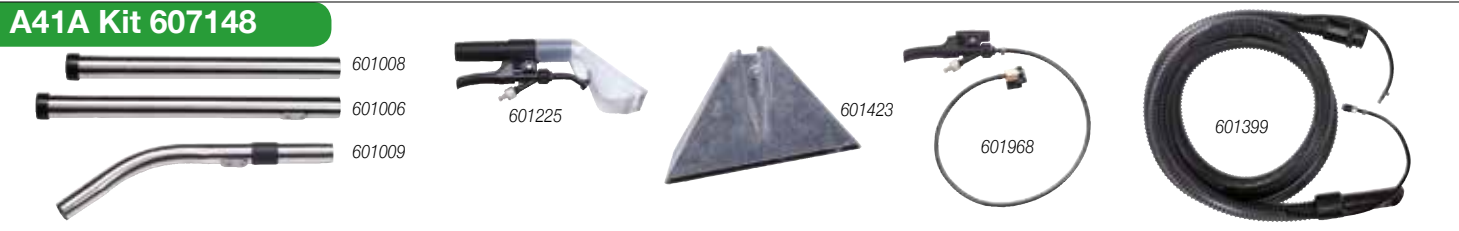
903972	1.2m NuFlex RSV / RSB Threaded Hose	601008	Stainless Steel Extension Tube (x2)	601141	Double Taper Hose / Tool Adaptor
601052	Stainless Steel Tube Bend with NPC Volume Control	902071	300mm Combination Floor Tool	601144	65mm Soft Dusting Brush

A40A Kit 607147



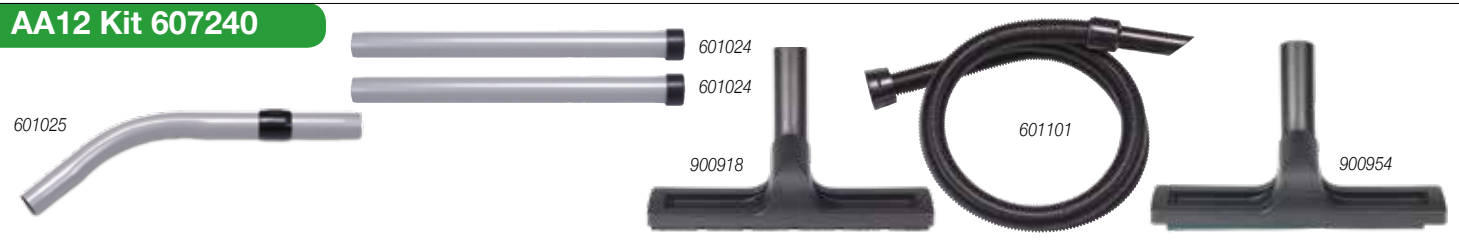
601399	4.0m CleanTec Extraction Hose	601008	Stainless Steel Extension Tube	601968	CleanTec Trigger Valve and Spray Tube
601009	Stainless Steel Extraction Trigger Bend Tube	601126	275mm Fishtail Extraction Tool		
601006	Stainless Steel Lower Tool Extraction Tube	601225	100mm Upholstery Extraction Tool		

A41A Kit 607148



601399	4.0m CleanTec Extraction Hose	601008	Stainless Steel Extension Tube	601968	CleanTec Trigger Valve and Spray Tube
601009	Stainless Steel Extraction Trigger Bend Tube	601423	275mm Aluminium Extraction Tool		
601006	Stainless Steel Lower Nozzle Extraction Tube	601225	100mm Upholstery Extraction Tool		

AA12 Kit 607240



601101	2.4m NuFlex Threaded Hose	601024	Aluminium Extension Tube (x2)	900918	300mm MultiFlo Dry Brush Tool
601025	Aluminium Tube Bend with (Black) Volume Control	900954	300mm MultiFlo Wet Pick-up Tool		

AA29E Kit 607391



601101	2.4m NuFlex Threaded Hose	902072	270mm Battery Vac Combination Floor Tool	601144	65mm Soft Dusting Brush
601051	Aluminium Tube Bend with NPC Volume Control	601141	Double Taper Hose / Tool Adaptor	601145	150mm Upholstery Tool
601024	Aluminium Extension Tube (x2)	601142	240mm Crevice Tool	601146	150mm Slide-on Brush for Upholstery Tool

AS30 Kit 607298



903972	1.2m NuFlex RSV / RSB Threaded Hose	601008	Stainless Steel Extension Tube (x2)	601141	Double Taper Hose / Tool Adaptor
601052	Stainless Steel Tube Bend with NPC Volume Control	902923	270mm ProFlo Combination Floor Tool	601144	65mm Soft Dusting Brush

AA30E Kit 607395



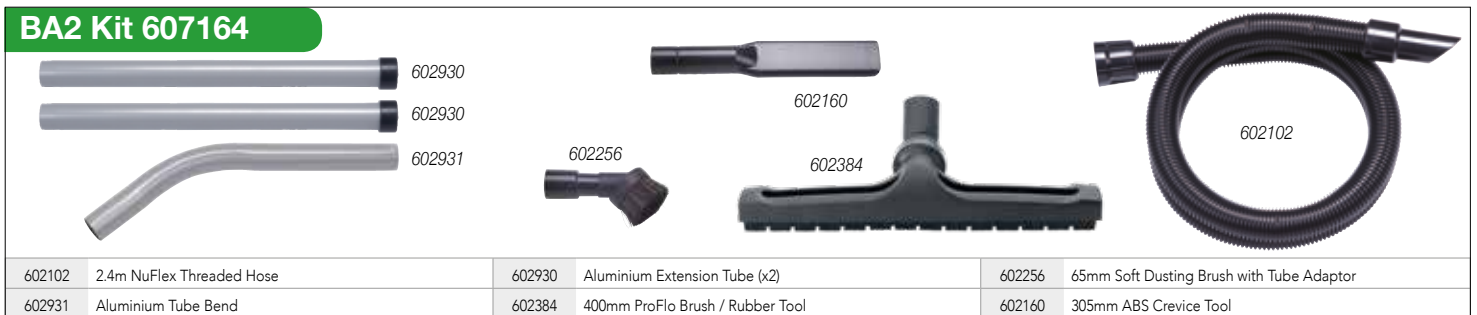
903972	1.2m NuFlex RSV / RSB Threaded Hose	601024	Aluminium Extension Tube (x2)	601141	Double Taper Hose / Tool Adaptor
601051	Stainless Steel Tube Bend	902072	270mm Battery Vac Combination Floor Tool	601144	65mm Soft Dusting Brush

AS4 Kit 900961



903712	2.2m FloMax Conical Hose	601430	290mm FreeFlo Floor Tool	601144	65mm Soft Dusting Brush
601052	Stainless Steel Tube Bend with NPC Volume Control	601141	Double Taper Hose / Tool Adaptor	601145	150mm Upholstery Tool
601008	Stainless Steel Extension Tube (x2)	601142	240mm Crevice Tool	601146	150mm Slide-on Brush for Upholstery Tool

BA2 Kit 607164



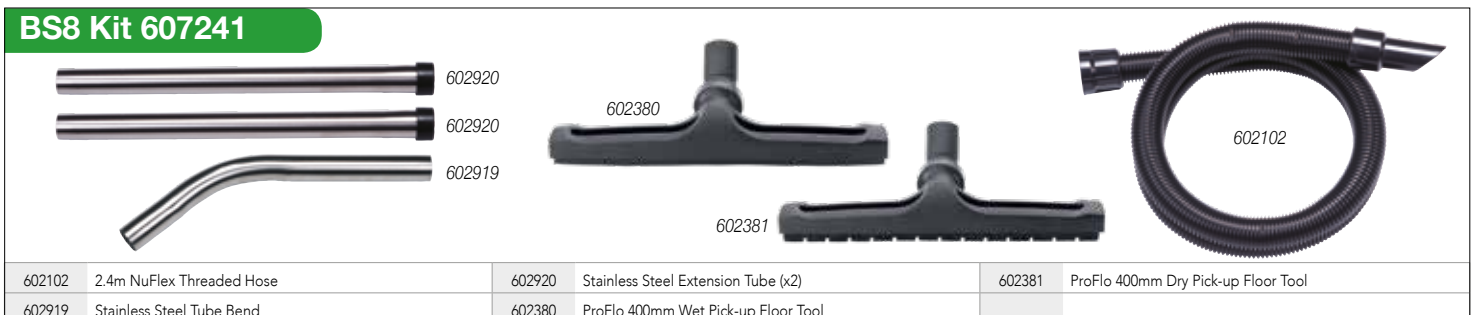
602102	2.4m NuFlex Threaded Hose	602930	Aluminium Extension Tube (x2)	602256	65mm Soft Dusting Brush with Tube Adaptor
602931	Aluminium Tube Bend	602384	400mm ProFlo Brush / Rubber Tool	602160	305mm ABS Crevice Tool

BS7 Kit 607249



602102	2.4m NuFlex Threaded Hose	602920	Stainless Steel Extension Tube (x2)		
602919	Stainless Steel Tube Bend	602380	ProFlo 400mm Wet Pick-up Floor Tool		

BS8 Kit 607241



602102	2.4m NuFlex Threaded Hose	602920	Stainless Steel Extension Tube (x2)	602381	ProFlo 400mm Dry Pick-up Floor Tool
602919	Stainless Steel Tube Bend	602380	ProFlo 400mm Wet Pick-up Floor Tool		


BS27 Kit 607248



602399	4.0m CleanTec Extraction Hose	602937	145mm Stainless Steel Extension Tube	602225	100mm Upholstery Extraction Tool
602922	38mm Stainless Steel Extraction Tube Bend	602200	CleanTec TriJet Extraction Floor Tool Assembly		
602920	Stainless Steel Extension Tube (x2)	602300	CleanTec TriJet Trigger and Solution Tube Assembly		

ProCare

SETTING THE STANDARD WITH ADVANCED FILTRATION

- 
- ✓ Conforms and performs to meet safety standards
 - ✓ Designed and built from 50 years of expertise
 - ✓ Powerful, long-life motors
 - ✓ Specialist accessories and bags for demanding environments
 - ✓ Rigorous manufacturing quality assurance, ensuring only the best in filtration standards

NuTec Industrial 26
NuTec Anti-static 26
DustCare 26
TradeLine 26
M-Class 27
H-Class 27
Accessories 28-29



Specialist Removal



Industrial



Construction



Manufacturing



NuTec Industrial Range



NTD750

- TwinFlo two-motor Structofoam power head
- Industrial vacuum suitable for many applications including; boiler cleaning, floor cleaning, metalworking, dirt, dust or debris, and more
- 510x510x960mm (WxLxH)

CAPACITY (L)	35	WEIGHT (KG)	20.8
POWER CORD (M)	10	POWER (Volts AC/Hz)	230 / 50/60
MOTOR (W)	1060x2	CLEANING RANGE (M)	26.8
MOTOR ONLY AIRFLOW (L/SEC)	98	KIT (See page 28)	BA5
SUCTION H ² O (MM)	2400		



NTD2003

- Big capacity machine with TwinFlo two-motor Structofoam power head
- Stainless steel container with heavy-duty chassis
- 560x660x1145mm (WxLxH)

CAPACITY (L)	60	WEIGHT (KG)	33.0
POWER CORD (M)	10	POWER (Volts AC/Hz)	230 / 50/60
MOTOR (W)	1060x2	CLEANING RANGE (M)	26.8
MOTOR ONLY AIRFLOW (L/SEC)	98	KIT (See page 28)	BA5
SUCTION H ² O (MM)	2400		



NTT2003

- Triplex power head in all-steel construction
- Mounted on an all-steel heavy-duty chassis, easily demounted for emptying
- 560x660x1075mm (WxLxH)

CAPACITY (L)	60	WEIGHT (KG)	36.0
POWER CORD (M)	10	POWER (Volts AC/Hz)	230 / 50/60
MOTOR (W)	1060x3	CLEANING RANGE (M)	26.8
MOTOR ONLY AIRFLOW (L/SEC)	147	KIT (See page 28)	BA5
SUCTION H ² O (MM)	2400		

Anti-static



HAS750

- H13 (EN1822)
- Full antistatic specification in machine and accessories
- The non-conductive specification continually discharges the static build up during use
- 510x510x960mm (WxLxH)

CAPACITY (L)	35	WEIGHT (KG)	23.0
POWER CORD (M)	8.5	POWER (Volts AC/Hz)	230 / 50/60
MOTOR (W)	960	CLEANING RANGE (M)	25.6
MOTOR ONLY AIRFLOW (L/SEC)	48	KIT (See page 29)	HAS
SUCTION H ² O (MM)	2500		

DustCare Range



NED570A shown

NES900 / NED570A

- Optional Auto Operation Power Outlet Socket
- Low flow and bag full indicator
- High-efficiency internal AirFlo system
- 415x415x645mm (WxLxH)

CAPACITY (L)	23	SUCTION H ² O (MM)	2300
POWER CORD (M)	10	WEIGHT (KG)	15.26
MOTOR (W) NES570	620	POWER (Volts AC/Hz)	230 / 50/60
MOTOR (W) NED570A	620x2	CLEANING RANGE (M)	26.8
MOTOR ONLY AIRFLOW (L/SEC) NES570	48	KIT (See page 28)	BA5
MOTOR ONLY AIRFLOW (L/SEC) NED570A	96		

Power outlet socket (Optional)



NED900A shown

NES900 / NED900A

- Optional Auto Operation Power Outlet Socket
- Low flow and bag full indicator
- High-efficiency internal AirFlo system
- 490x800x880mm (WxLxH)

CAPACITY (L)	40	SUCTION H ² O (MM)	2300
POWER CORD (M)	10	WEIGHT (KG) NES900	24.05
MOTOR (W) NES900	620	POWER (Volts AC / Hz)	230 / 50/60
MOTOR (W) NED900A	620x2	CLEANING RANGE (M)	26.8
MOTOR ONLY AIRFLOW (L/SEC) NES900	48	KIT (See page 28)	BA5
MOTOR ONLY AIRFLOW (L/SEC) NES900	96		

TradeLine Range

NEW



TEL390S

- L-Class Compliant - IEC/EN 60335-2-69
- Huge cleaning reach, with 10m cable and 2.9m hose
- Large rear wheels for ease of transit
- Tough, durable and built to last
- 400x450x600mm (WxLxH)

CAPACITY (L)	18	WEIGHT (KG)	10.8
POWER CORD (M)	10	POWER (Volts AC/Hz)	230 / 50/60
MOTOR (W)	620	CLEANING RANGE (M)	28
MOTOR ONLY AIRFLOW (L/SEC)	48	KIT (See page 28)	AS10
SUCTION H ² O (MM)	2300		

NEW



TEM390A

- M-Class Compliant - IEC/EN 60335-2-69
- Huge cleaning reach, with 10m cable and 2.9m hose
- Large rear wheels and extending pull handle for ease of transit
- 2200W Automatic power take-off
- 450x400x1010mm (WxLxH)

CAPACITY (L)	18	WEIGHT (KG)	14.3
POWER CORD (M)	10	POWER (Volts AC/Hz)	230 / 50/60
MOTOR (W)	620	CLEANING RANGE (M)	28
SUCTION H ² O (MM)	2300	KIT (See page 28)	AS10

TradeLine Storage Caddy



M-Class Range



MV570 / MVD570

- M-Class Compliant - IEC/EN 60335-2-69
- Easy empty extending nozzle
- High-efficiency internal AirFlo system
- Optional Auto Operation Power Outlet Socket
- 415x415x746mm (WxLxH)

CAPACITY (L)	23	SUCTION H ² O (MM)	2500
POWER CORD (M)	10	WEIGHT (KG) MV570	20.0
MOTOR (W) MV570	960	WEIGHT (KG) MVD570	22.0
MOTOR (W) MVD570	960x2	POWER (Volts AC/Hz)	230 / 50/60
MOTOR ONLY AIRFLOW (L/SEC) MV570	48	CLEANING RANGE (M)	26.8
MOTOR ONLY AIRFLOW (L/SEC) MVD570	96	KIT (See page 28)	BA5



MV900 / MVD900

- M-Class Compliant - IEC/EN 60335-2-69
- Easy empty extending nozzle
- High-efficiency internal AirFlo system
- Optional Auto Operation Power Outlet Socket
- 490x800x880mm (WxLxH)

CAPACITY (L)	40	SUCTION H ² O (MM)	2500
POWER CORD (M)	10	WEIGHT (KG) MV900	28.0
MOTOR (W) MV900	960	WEIGHT (KG) MVD900	30.0
MOTOR (W) MVD900	960x2	POWER (Volts AC/Hz)	230 / 50/60
MOTOR ONLY AIRFLOW (L/SEC) MV900	48	CLEANING RANGE (M)	26.8
MOTOR ONLY AIRFLOW (L/SEC) MVD900	96	KIT (See page 28)	BA5



H-Class Range

NEW



HZ390S

- H-Class Compliant - IEC/EN 60335-2-69
- TriTex filtration and HepaFlo filter bags
- Large rear wheels and pull handle
- 400x450x600mm (WxLxH)

CAPACITY (L)	18	WEIGHT (KG)	11.2
POWER CORD (M)	10	POWER (Volts AC/Hz)	230 / 50/60
MOTOR (W)	960	CLEANING RANGE (M)	26.8
SUCTION H ² O (MM)	2500	KIT (See page 28)	AA18



NEW



HZ390L

- H-Class Compliant - IEC/EN 60335-2-69
- TriTex filtration and HepaFlo filter bags
- Compact and ready to go
- Large rear wheels and folding pull handle
- 400x450x1010mm (WxLxH)

CAPACITY (L)	18	WEIGHT (KG)	11.2
POWER CORD (M)	10	POWER (Volts AC/Hz)	230 / 50/60
MOTOR (W)	960	CLEANING RANGE (M)	26.8
SUCTION H ² O (MM)	2500	KIT (See page 28)	AA18



HZ570 / HZD570

- H-Class Compliant - IEC/EN 60335-2-69
- All-steel head construction
- Plugged easy cable replacement system
- 415x415x746mm (WxLxH)

CAPACITY (L)	23	SUCTION H ² O (MM)	2500
POWER CORD (M)	10	WEIGHT (KG) HZ570	18.0
MOTOR (W) HZ570	960	WEIGHT (KG) HZD570	20.0
MOTOR (W) HZD570	960x2	POWER (Volts AC/Hz)	230 / 50/60
MOTOR ONLY AIRFLOW (L/SEC) HZ570	48	CLEANING RANGE (M)	26.8
MOTOR ONLY AIRFLOW (L/SEC) HZD570	96	KIT (See page 28)	AA19 BB19



HZ900 / HZD900

- H-Class Compliant - IEC/EN 60335-2-69
- All-steel head construction
- Plugged easy cable replacement system
- 490x800x880mm (WxLxH)

CAPACITY (L)	40	SUCTION H ² O (MM)	2500
POWER CORD (M)	10	WEIGHT (KG) HZ900	28.0
MOTOR (W) HZ900	960	WEIGHT (KG) HZD900	30.0
MOTOR (W) HZD900	960x2	POWER (Volts AC/Hz)	230 / 50/60
MOTOR ONLY AIRFLOW (L/SEC) HZ900	48	CLEANING RANGE (M)	26.8
MOTOR ONLY AIRFLOW (L/SEC) HZD900	96	KIT (See page 28)	AA20 BB20



NEW



HZC390S

- H-Class Compliant - IEC/EN 60335-2-69
- Disposable filter cartridge
- Quick, simple and safe emptying
- Compact and ready to go
- 450x400x600mm (WxLxH)

CAPACITY (L)	13	WEIGHT (KG)	12.2
POWER CORD (M)	10	POWER (Volts AC/Hz)	230 / 50/60
MOTOR (W)	1000	CLEANING RANGE (M)	26.8
SUCTION H ² O (MM)	2500	KIT (See page 28)	AA18



NEW



HZC390L

- H-Class Compliant - IEC/EN 60335-2-69
- Disposable filter cartridge
- Quick, simple and safe emptying
- Compact and ready to go with extending pull handle
- 450x400x1010mm (WxLxH)

CAPACITY (L)	13	WEIGHT (KG)	13.0
POWER CORD (M)	10	POWER (Volts AC/Hz)	230 / 50/60
MOTOR (W)	1000	CLEANING RANGE (M)	26.8
SUCTION H ² O (MM)	2500	KIT (See page 28)	AA18



NEW

HZC Disposable Cartridge

- HEPA H13 Filter - Conforms to EN1822
- Fits all HZC machines
- 345x321x283mm (WxLxH)

CAPACITY (L)	13	WEIGHT (KG)	1.75
--------------	----	-------------	------



AA17 902755 / AA18 902756

601101	2.4m NuFlex Threaded Hose	602161	152mm Rubber Brush with Soft Bristles	601141	Double Taper Hose / Tool Adaptor
604015	10 x (NVM-1CH) HepaFlo Dust Bags (AA17 only HZ200 / 250)	602159	38 / 32mm Adaptor	601917	280mm Stainless Steel Gulper / Scraper Tool (32mm)
604016	10 x (NVM-2BH) HepaFlo Dust Bags (AA18 only HZ370)	601144	65mm Soft Dusting Brush	604165	TriTex Filter for 305mm Machine
601142	240mm Crevice Tool	908229	Roll of 10 x 120-Litre Waste Bags (700mm x 1100mm), Grey		

AA19 902757 / AA20 902758

601101	2.4m NuFlex Threaded Hose	602161	152mm Rubber Brush with Soft Bristles	601141	Double Taper Hose / Tool Adaptor
604017	10 x (NVM-3BH) HepaFlo Dust Bags (AA19 only HZ570)	602159	38 / 32mm Adaptor	601917	280mm Stainless Steel Gulper / Scraper Tool (32mm)
604019	10 x (NVM-4BH) HepaFlo Dust Bags (AA20 only HZ750 / 900)	601144	65mm Soft Dusting Brush	604116	Primary PermaTex Filter for 356mm Machine
601142	240mm Crevice Tool	908229	Roll of 10 x 120-Litre Waste Bags (700mm x 1100mm), Grey		

AS10 908283

601102	2.9m NuFlex Threaded Hose	601430	290mm FreeFlo Floor Tool	601145	150mm Upholstery Tool
601052	Stainless Steel Tube Bend with NPC Volume Control	601141	Double Taper Hose / Tool Adaptor	601146	150mm Slide on Brush for Upholstery Tool
601008	Stainless Steel Extension Tube (x2)	601142	240mm Crevice Tool	601176	Multi Size Power Tool Adaptor
900918	300mm MultiFlo Dry Brush Tool	601144	65mm Soft Dusting Brush		

BA5 Kit 607167 38mm

602102	2.4m NuFlex Threaded Hose (38mm)	602930	Aluminium Extension Tube (x2)	602162	152mm Rubber Brush with Stiff Bristles
602931	Aluminium Tube Bend	602381	400mm ProFlo Brush Tool		

BB19 607349 / BB20 607350

602102	2.4m NuFlex Threaded Hose	604144	65mm Soft Dusting Brush	604116	Primary PermaTex Filter for 356mm Machine
604017	10 x (NVM-3BH) HepaFlo Dust Bags (BB19 only HZD570)	908229	Roll of 10 x 120-Litre Waste Bags (700mm x 1100mm), Grey	602159	38 / 32mm Adaptor
604019	10 x (NVM-4BH) HepaFlo Dust Bags (BB20 only HZD750 / 900)	602160	305mm ABS Crevice Tool		
602161	152mm Rubber Brush with Soft Bristles	602923	280mm Stainless Steel Gulper / Scraper Tool (38mm)		

HAS 607661



602111	2.6m Anti Static 38mm Hose Assembly	602929	ATX Stainless Steel Extension Tube (x2)	604019	10 x (NVB-4BH) HepaFlo Dust Bags
602112	ATX 400mm Widetrack Brush Tool	909185	152mm Conductive Dusting Brush	602923	280mm Stainless Steel Gulper / Scraper Tool (38mm)
602919	Stainless Steel Tube Bend	602125	ATX 130mm Conductive Rubber Gulper Tool	908229	Roll of 10 x 120-Litre Waste Bags (700mm x 1100mm), Grey

TRADELINE 390

NEW



TradeLine on-tool extraction



No on-tool extraction

Compact, tough and highly mobile, the TradeLine vacuum combines a specialist on-tool extractor with a big clean-up machine.

TradeLine on-tool extraction in use. (See page 26)

FloorCare

PERFORMANCE YOU CAN TRUST

- ✓ Increase productivity with the Nu-Assist Training App
- ✓ Performance you can trust from reliable, intuitive floorcare solutions
- ✓ Engineered by our dedicated team of expert, floorcare technicians
- ✓ Extensive range of brushes and accessories for professional results, every time
- ✓ Simple to maintain and service for years of professional, trouble-free cleaning



Numatic



Happy Cleaning Range 32
 Hurricane Range 33
 NuSpeed Range 33
 TwinTec Mains 34
 TwinTec Battery 34-35
 Ride-on 35
 Nu-Assist 36-37

Education



Industrial



Retail



Transportation



Happy Cleaning Range

User-friendly cleaning...
Simplicity, reliability
and quality with
a SMILE.



HENRY HLL332

- Optional solution tank
- Folds flat for easy storage
- Full range of 330mm brushes / pads
- 330x540x1145mm (WxLxH)



TANK CAPACITY (L)	4	BRUSH SPEED (RPM)	200
MOTOR (W)	400	WEIGHT (KG)	18.0
DECK (MM)	330	POWER (Volts AC / Hz)	230 / 50/60
BRUSH (MM)	330	VACUUM	-
PAD (MM)	330	CLEANING RANGE (M)	32

HENRY HLL415

- Optional solution tank
- Folds flat for easy storage
- Full range of 330mm brushes / pads
- 360x540x1145mm (WxLxH)



TANK CAPACITY (L)	4	BRUSH SPEED (RPM)	150
MOTOR (W)	400	WEIGHT (KG)	18.5
DECK (MM)	400	POWER (Volts AC / Hz)	230 / 50/60
BRUSH (MM)	400	VACUUM	-
PAD (MM)	360	CLEANING RANGE (M)	32

HENRY FMH1515

- Fully adjustable handle
- Optional solution tank
- Fast, single handed brush or pad changing
- 460x560x1250mm (WxLxH)



TANK CAPACITY (L)	6	BRUSH SPEED (RPM)	150
MOTOR (W)	1500	WEIGHT (KG)	32.0
DECK (MM)	450	POWER (Volts AC / Hz)	230 / 50
BRUSH (MM)	450	VACUUM	-
PAD (MM)	400	CLEANING RANGE (M)	32

HENRY HT1840

- Simple controls
- Fully adjustable handle
- Folds flat for easy storage
- Fast, single handed brush or pad changing
- 520x880x1132mm (WxLxH)



TANK CAPACITY (L)	18	PAD (MM)	360
BRUSH MOTOR (W)	400	BRUSH SPEED (RPM)	150
VAC MOTOR (W)	300	RTU WEIGHT (KG)	56.5
DECK (MM)	400	POWER (Volts AC / Hz)	230 / 50
BRUSH (MM)	400	CLEANING RANGE (M)	42

HENRY HT4045

- Simple controls
- Fully adjustable handle
- Tilting deck for easy brush / pad change
- 470x890x1100mm (WxLxH)



TANK CAPACITY (L)	40	PAD (MM)	400
BRUSH MOTOR (W)	1500	BRUSH SPEED (RPM)	150
VAC MOTOR (W)	1200	RTU WEIGHT (KG)	107.0
DECK (MM)	450	POWER (Volts AC / Hz)	230 / 50
BRUSH (MM)	450	CLEANING RANGE (M)	42

HENRY HTB1840

- Cable-free 24V battery
- Fully adjustable handle
- Folds flat for easy storage
- Fast, single handed brush or pad changing
- Optional extra battery
- 520x880x1132mm (WxLxH)



TANK CAPACITY (L)	18	PAD (MM)	360
BRUSH MOTOR (W)	400	BRUSH SPEED (RPM)	150
VAC MOTOR (W)	300	RTU WEIGHT (KG)	70
DECK (MM)	400	POWER (24 Volts / Ah)	2x12 / 18
BRUSH (MM)	400	RUNTIME (MINS) Lo / Hi	45 / 35

HENRY HGB3045

- Easy to use controls
- Battery and hour meter
- Fully adjustable handle
- Tilting deck for easy brush / pad change
- 520x880x1132mm (WxLxH)



TANK CAPACITY (L)	30	PAD (MM)	400
BRUSH MOTOR (W)	300	BRUSH SPEED (RPM)	100
VAC MOTOR (W)	400	RTU WEIGHT (KG)	120.0
DECK (MM)	450	POWER (24 Volts / Ah)	2x12 / 55
BRUSH (MM)	450	RUNTIME (HRS)	1.5

HETTY HBG3045

- Easy to use controls
- Battery and hour meter
- Fully adjustable handle
- Tilting deck for easy brush / pad change
- 520x880x1132mm (WxLxH)



TANK CAPACITY (L)	30	PAD (MM)	400
BRUSH MOTOR (W)	300	BRUSH SPEED (RPM)	100
VAC MOTOR (W)	400	RTU WEIGHT (KG)	120.0
DECK (MM)	450	POWER (24 Volts / Ah)	2x12 / 55
BRUSH (MM)	450	RUNTIME (HRS)	1.5

RTU = Ready to use weight. Tank Capacity = Clean Water.

Hurricane / NuSpeed Range

HFM1015G

- Fully adjustable handle
- Optional solution tank
- 460x560x1250mm (WxLxH)



TANK CAPACITY (L)	6	BRUSH SPEED (RPM)	150
MOTOR (W)	1000	WEIGHT (KG)	26.0
DECK (MM)	450	POWER (Volts AC / Hz)	230 / 50
BRUSH (MM)	450	VACUUM (DRY)	Optional
PAD (MM)	400	CLEANING RANGE (M)	32

HFM1515G

- Fully adjustable handle
- Optional solution tank
- Optional 10kg weight
- 460x560x1250mm (WxLxH)



TANK CAPACITY (L)	6	BRUSH SPEED (RPM)	150
MOTOR (W)	1500	WEIGHT (KG)	32.0
DECK (MM)	450	POWER (Volts AC / Hz)	230 / 50
BRUSH (MM)	450	VACUUM (DRY)	Optional
PAD (MM)	400	CLEANING RANGE (M)	32

HFM1523G

- Fully adjustable handle
- Optional solution tank
- Optional 10kg weight
- 460x560x1250mm (WxLxH)



TANK CAPACITY (L)	6	BRUSH SPEED (RPM)	230
MOTOR (W)	1500	WEIGHT (KG)	32.0
DECK (MM)	450	POWER (Volts AC / Hz)	230 / 50
BRUSH (MM)	450	VACUUM (DRY)	Optional
PAD (MM)	400	CLEANING RANGE (M)	32

HFM1530G

- Fully adjustable handle
- Optional solution tank
- Optional 10kg weight
- 460x560x1250mm (WxLxH)



TANK CAPACITY (L)	6	BRUSH SPEED (RPM)	300
MOTOR (W)	1500	WEIGHT (KG)	32.0
DECK (MM)	450	POWER (Volts AC / Hz)	230 / 50
BRUSH (MM)	450	VACUUM (DRY)	Optional
PAD (MM)	400	CLEANING RANGE (M)	32

HFM1545G

- Fully adjustable handle
- Optional solution tank
- Optional 10kg weight
- 460x560x1250mm (WxLxH)



TANK CAPACITY (L)	6	BRUSH SPEED (RPM)	450
MOTOR (W)	1500	WEIGHT (KG)	32.0
DECK (MM)	450	POWER (Volts AC / Hz)	230 / 50
BRUSH (MM)	450	VACUUM (DRY)	Optional
PAD (MM)	400	CLEANING RANGE (M)	32

HFT1530G

- Fully adjustable handle
- Optional solution tank
- Dual speed for scrubbing (150rpm) and polishing (300rpm)
- Optional 10kg weight (150rpm)
- 460x560x1250mm (WxLxH)



TANK CAPACITY (L)	6	BRUSH SPEED (RPM)	150 / 300
MOTOR (W)	1000 / 1200	WEIGHT (KG)	32.0
DECK (MM)	450	POWER (Volts AC / Hz)	230 / 50
BRUSH (MM)	450	VACUUM (DRY)	Optional
PAD (MM)	400	CLEANING RANGE (M)	32

HNS1550G

- Fully adjustable handle
- High-speed burnisher
- Simple load adjustment
- 560x740x1260mm (WxLxH)



TANK CAPACITY (L)	-	PAD PRESSURE	Variable
MOTOR (W)	1500	WEIGHT (KG)	35.0
DECK (MM)	500	POWER (Volts AC / Hz)	230 / 50
PAD (MM)	500	VACUUM (DRY)	Optional
BRUSH SPEED (RPM)	1500	CLEANING RANGE (M)	32

NLL332

- Optional solution tank
- Folds flat for easy storage
- Full range of 330mm brushes / pads
- 330x540x1145mm (WxLxH)



TANK CAPACITY (L)	4	BRUSH SPEED (RPM)	200
MOTOR (W)	400	WEIGHT (KG)	18.0
DECK (MM)	330	POWER (Volts AC / Hz)	230 / 50/60
BRUSH (MM)	330	CLEANING RANGE (M)	32
PAD (MM)	330		

NR1500S

- Optional solution tank
- Folds flat for easy storage
- 330x540x1145mm (WxLxH)



TANK CAPACITY (L)	6	BRUSH SPEED (RPM)	150
MOTOR (W)	1500	WEIGHT (KG)	40.0
DECK (MM)	450	POWER (Volts AC / Hz)	230 / 50/60
BRUSH (MM)	450	VACUUM (DRY)	Optional
PAD (MM)	400	CLEANING RANGE (M)	32



TwinTec Mains

TT1535G

- Compact yet exceptionally manoeuvrable
- Cylinder Power Brush
- Picks-up forwards and backwards
- Simple controls
- Fully adjustable handle
- 480x750x740mm (WxLxH)



TANK CAPACITY (L)	15	BRUSH SPEED (RPM)	1000
BRUSH MOTOR (W)	400	RTU WEIGHT (KG)	53.0
VAC MOTOR (W)	1000	POWER (Volts AC / Hz)	230 / 50
BRUSH (MM)	350	CLEANING RANGE (M)	42

TT1840G

- Simple controls
- Fully adjustable handle
- Folds flat for easy storage
- Fast, single handed brush / pad changing
- 520x880x1132mm (WxLxH)



TANK CAPACITY (L)	18	PAD (MM)	360
BRUSH MOTOR (W)	400	BRUSH SPEED (RPM)	150
VAC MOTOR (W)	300	RTU WEIGHT (KG)	56.5
DECK (MM)	400	POWER (Volts AC / Hz)	230 / 50
BRUSH (MM)	400	CLEANING RANGE (M)	42

TT4045G

- Simple controls
- Fully adjustable handle
- Tilting deck for easy brush / pad change
- 470x890x1100mm (WxLxH)



TANK CAPACITY (L)	40	PAD (MM)	400
BRUSH MOTOR (W)	1500	BRUSH SPEED (RPM)	150
VAC MOTOR (W)	1200	RTU WEIGHT (KG)	107.0
DECK (MM)	450	POWER (Volts AC / Hz)	230 / 50
BRUSH (MM)	450	CLEANING RANGE (M)	42

TT4055G

- Simple controls
- Fully adjustable handle
- Tilting deck for easy brush / pad change
- 560x935x1100mm (WxLxH)



TANK CAPACITY (L)	40	PAD (MM)	500
BRUSH MOTOR (W)	1500	BRUSH SPEED (RPM)	150
VAC MOTOR (W)	1200	RTU WEIGHT (KG)	108.0
DECK (MM)	550	POWER (Volts AC / Hz)	230 / 50
BRUSH (MM)	550	CLEANING RANGE (M)	42

TT6650G

- Simple controls
- Fully adjustable handle
- Tilting deck for easy brush / pad change
- 470x890x1100mm (WxLxH)



TANK CAPACITY (L)	60	PAD (MM)	600
BRUSH MOTOR (W)	1500	BRUSH SPEED (RPM)	150
VAC MOTOR (W)	1200	RTU WEIGHT (KG)	147.6
DECK (MM)	650	POWER (Volts AC / Hz)	230 / 50
BRUSH (MM)	650	CLEANING RANGE (M)	42

TwinTec Battery

TTB1840G

- Simple controls
- Fully adjustable handle
- Folds flat for easy storage
- Fast, single handed brush / pad changing
- 520x880x1132mm (WxLxH)



TANK CAPACITY (L)	18	PAD (MM)	360
BRUSH MOTOR (W)	400	BRUSH SPEED (RPM) Lo / Hi	130 / 150
VAC MOTOR (W)	300	RTU WEIGHT (KG)	70
DECK (MM)	400	POWER (24 Volts / Ah)	2x12 / 18
BRUSH (MM)	400	RUNTIME (MINS) Lo / Hi	45 / 35

TGB3045

- Easy to use controls
- On-board charging
- Battery and hour meter
- Fully adjustable handle
- Tilting deck for easy brush / pad change
- 470x890x1100mm (WxLxH)



TANK CAPACITY (L)	30	PAD (MM)	400
BRUSH MOTOR (W)	300	BRUSH SPEED (RPM)	100
VAC MOTOR (W)	400	RTU WEIGHT (KG)	120.0
DECK (MM)	450	POWER (24 Volts / Ah)	2x12 / 55
BRUSH (MM)	450	RUNTIME (HRS)	1.5

TGB4045

- Easy to use controls
- On-board charging
- Battery and hour meter
- Fully adjustable handle
- Tilting deck for easy brush / pad change
- 470x1070x1160mm (WxLxH)



TANK CAPACITY (L)	40	PAD (MM)	400
BRUSH MOTOR (W)	300	BRUSH SPEED (RPM)	100
VAC MOTOR (W)	400	RTU WEIGHT (KG)	168.0
DECK (MM)	450	POWER (24 Volts / Ah)	2x12 / 100
BRUSH (MM)	450	RUNTIME (HRS)	2.25

TGB4055 / TGB4055T

- Easy to use controls
- On-board charging
- Battery and hour meter
- Fully adjustable handle
- Tilting deck for easy brush / pad change
- 560x1115x1160mm (WxLxH)



TANK CAPACITY (L)	40	BRUSH SPEED (RPM)	100
BRUSH MOTOR (W)	300	RTU WEIGHT (KG) 4055	169.5
VAC MOTOR (W)	400	RTU WEIGHT (KG) 4055T	179.5
TRACTION DRIVE (W)	250	POWER (24 Volts / Ah)	2x12 / 100
DECK (MM)	550	RUNTIME (HRS) 4055	2.25
BRUSH (MM)	550	RUNTIME (HRS) 4055T	2
PAD (MM)	508		

RTU = Ready to use weight. Tank Capacity = Clean Water.

TGB6055 / TGB6055T

- Easy to use controls
- On-board charging
- Battery and hour meter
- Traction drive makes cleaning inclines safer and easier (Traction model only)
- Drive speed 0-4kph
- 560x1425x1120mm (WxLxH)



TANK CAPACITY (L)	60	PAD (MM)	508
BRUSH MOTOR (W)	300	BRUSH SPEED (RPM)	100
VAC MOTOR (W)	400	RTU WEIGHT (KG)	225.0 / 232.5
DECK (MM)	550	POWER (24 Volts / Ah)	2x12 / 100
BRUSH (MM)	550	RUNTIME (HRS)	2.25

TGB8572

- Easy to use controls
- Traction drive makes cleaning inclines safer and easier
- On-board charging
- Battery and hour meter
- Drive speed 0-2.5kph
- 762x1513x1144mm (WxLxH)



TANK CAPACITY (L)	85	PAD (MM)	2x360
BRUSH MOTOR (W)	600	BRUSH SPEED (RPM)	150
VAC MOTOR (W) (24V)	400	RTU WEIGHT (KG)	355.0
DECK (MM)	720	POWER (24 Volts / Ah)	4x12 / 200
BRUSH (MM)	2x370	RUNTIME (HRS)	5

Ride-on

CRG8055G - 100Ah / 120Ah

- Compact design
- Single brush 550mm scrub width
- On-board charging
- Drive speed 0-6kph
- Anti-tip system
- 805x1460x1160mm (WxLxH)



TANK CAPACITY (L)	80	BRUSH SPEED (RPM)	150
BRUSH MOTOR (W)	600	RTU WEIGHT (KG) 100 Ah	268.0
VAC MOTOR (W)	400	RTU WEIGHT (KG) 200 Ah	280.0
DECK (MM)	550	POWER (24 Volts / Ah)	2x12 / 100 / 120
BRUSH (MM)	550	RUNTIME (HRS) 100Ah	2
PAD (MM)	508	RUNTIME (HRS) 120Ah	3

CRG8072G - 100Ah / 120Ah

- Compact design
- Twin brushes 720mm scrub width
- Anti-tip system
- On-board charging
- Drive speed 0-6kph
- 948x1460x1160mm (WxLxH)



TANK CAPACITY (L)	80	BRUSH SPEED (RPM)	150
BRUSH MOTOR (W)	600	RTU WEIGHT (KG) 100Ah	288.0
VAC MOTOR (W)	400	RTU WEIGHT (KG) 120Ah	300.0
DECK (MM)	720	POWER (24 Volts / Ah)	2x12 / 100 / 120
BRUSH (MM)	2x370	RUNTIME (HRS) 100Ah	2
PAD (MM)	2x360	RUNTIME (HRS) 120Ah	3

TRO650G

- Simple operator controls
- Twin brushes 650mm scrub width
- Easy maintenance
- On-board charging
- Drive speed 0-7kph
- 944x1676x1425mm (WxLxH)



TANK CAPACITY (L)	120	PAD (MM)	2x330
BRUSH MOTOR (W)	2x600	BRUSH SPEED (RPM)	200
VAC MOTOR (W)	600	RTU WEIGHT (KG)	490.0
DECK (MM)	650	POWER (24 Volts / Ah)	4x12 / 200
BRUSH (MM)	2x330	RUNTIME (HRS)	3.5

TRG720G - 200Ah / 300Ah

- Simple operator controls
- Twin brushes 720mm scrub width
- Easy maintenance
- On-board charging
- Drive speed 0-6kph
- 948x1752x1385mm (WxLxH)



TANK CAPACITY (L)	120	RTU WEIGHT (KG) 200 Ah	557.0
BRUSH MOTOR (W)	600	RTU WEIGHT (KG) 300 Ah	622.0
VAC MOTOR (W) 2-STAGE / 3 STAGE	400 / 600	POWER (24 Volts / Ah)	4x12 / 200
BRUSH (MM)	2x370	POWER (24 Volts / Ah)	6x12 / 300
PAD (MM)	2x360	RUNTIME (HRS) 200Ah	3.5
BRUSH SPEED (RPM)	150	RUNTIME (HRS) 300Ah	5.5

RTU = Ready to use weight. Tank Capacity = Clean Water.

TTV678G - 300Ah / 400Ah

- Simple operator controls
- 3 adjustable brush widths (650 / 750 / 850mm)
- Easy maintenance
- On-board charging
- Drive speed 0-7kph
- 1054x1676x1425mm (WxLxH)



TANK CAPACITY (L)	120	RTU WEIGHT (KG) 300Ah	620.0
BRUSH MOTOR (W)	3x400	RTU WEIGHT (KG) 400Ah	686.0
VAC MOTOR (W)	600	POWER (24 Volts / Ah)	6x12 / 300
BRUSH (MM)	3x300	POWER (24 Volts / Ah)	8x12 / 400
PAD (MM)	3x300	RUNTIME (HRS) 300Ah	3.5
SPEED (RPM)	50 / 100 / 150 / 200	RUNTIME (HRS) 400Ah	4.5

Nu-Assist

INCREASE CLEANING PRODUCTIVITY

Providing training is not always straightforward, and can be time-consuming, complex and costly.

The Nu-Assist App offers the benefit of online training, through a simple, versatile, and user-friendly solution, resulting in increased cleaning performance and productivity.



See page 36 - 37

Numatic Nu-Assist

INCREASE CLEANING PRODUCTIVITY

Download the App



Providing training is not always straightforward and can be time-consuming, complex and costly.

The Nu-Assist App offers the benefit of online training, through a simple, versatile, and user-friendly solution, resulting in increased cleaning performance and productivity.



Nu-Assist delivers multilingual training, troubleshooting and maintenance content, from one convenient App.

Visit: www.numatic.com/apps/nu-assist



Quick Start Videos



Troubleshooting and Maintenance Videos

How it works

1. Scan the QR code on the machine
2. Open in App or Mobile Browser
3. View Quick Start Videos
4. Carry out Maintenance Checklist
5. Complete Operator Training

Auto Product Finder
loads relevant
training content



VersaCare

RAISING CLEANING STANDARDS AND PRODUCTIVITY

- ✓ Exceptionally tough, Structofoam construction
- ✓ Complete range of mopping systems to suit all environments
- ✓ Lockable and closed-away systems for public cleaning
- ✓ Industry colour-coding for effective infection control
- ✓ Ergonomic and stylish designs



Mopping Range	40-41	Compact Range	50
ECO-Matic Range	42-43	NuBag Range	50-51
SERVO-Matic Range	44	NuKeeper Range	52-53
Mop Kits	44-45	NuKeeper Top Tray Kits.....	54
PRO-Matic Range	46-47	Optional End Bag Frame Kits.....	55
Nu-Design	48-49		



Hospitality



Healthcare



Education



Retail



Mopping Range



Polystatic Mop PCM401

- 1 Piece Mop Set
- C/W 50 x Polystatic Mop Cloths
- C/W Disposable PolyStatic Mop "Gripper" Pad

PAD SIZE (MM)	400	WEIGHT (KG)	1.1
FIXING	Velcro	DIMENSIONS (MM) (H)	1400



Polystatic Mop PCM403

- 3 Piece Mop Set
- C/W 50 x Polystatic Mop Cloths
- C/W Disposable PolyStatic Mop "Gripper" Pad

PAD SIZE (MM)	400	WEIGHT (KG)	1.1
FIXING	Velcro	DIMENSIONS (MM) (H)	1400



Polystatic Mop PCT400

- Telescopic Mop Set
- C/W 50 x Polystatic Mop Cloths
- C/W Disposable PolyStatic Mop "Gripper" Pad

PAD SIZE (MM)	400	WEIGHT (KG)	1.1
FIXING	Velcro	DIMENSIONS (MM) (H)	1400



Polystatic SprayMop PSM400G

- SprayMop Set
- C/W 50 x Polystatic Mop Cloths
- C/W Disposable PolyStatic Mop "Gripper" Pad
- C/W 400ml Bottle
- Velcro Fixing
- Pad size 400mm



DTK1 Kentucky Mop Set

- C/W 1 x Bactiguard 400g Mop
- Suitable for Vertical Press



DTK2 Pocket Mop Set

- C/W 1 x BluTec Microfibre Pocket Mop
- Suitable for Vertical Press and Wide Press
- Pocket Fixing
- Pad size 400mm



DTK3 Hang-on Mop Set

- C/W 1 x Nylostripe Mop
- Suitable for Vertical Press
- Hang-on Fixing
- Pad size 400mm



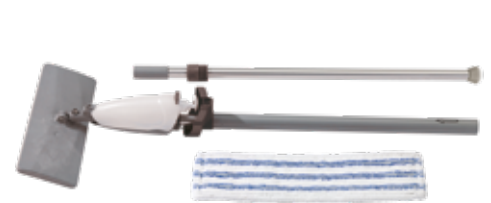
DTK4 Velcro Mop Set

- C/W 1 x Nylostripe Mop
- Suitable for Wide Press
- Velcro Fixing
- Pad size 400mm



DTK6G SprayMop Master

- C/W 1 x BluTec Microfibre Pocket Mop
- C/W 400ml Bottle
- Pocket Fixing
- Pad size 400mm



DTK8G SprayMop Master

- C/W 1 x Nylostripe Mop
- C/W 400ml Bottle
- Velcro Fixing
- Pad size 400mm



DTK9 Twist Mop

- C/W 1 x Bactiguard Mop



DTK10 Multimop

- C/W 1 x Sponge
- Folding Press
- Velcro Fixing
- Sponge size 350mm



DTK11G NyloTwin Hang-on Mop Set

- C/W 1 x Nylostripe Mop
- Suitable for Vertical Press
- Hang-on Fixing
- Pad size 400mm



DTK12G Wing Mop Pump Action Set

- C/W 1 x BluTec Microfibre Pocket Mop
- Suitable for Vertical Press, Wide Press and MopMatic
- Pocket Fixing
- Pad size 400mm



MM30G

- C/W 1 x Sponge
- Folding press
- 4 x 50mm Castors
- Pad size 350mm
- 340x475x320mm (WxLxH)

CAPACITY (L)	30	FIXING	Velcro
--------------	----	--------	--------



HB1812G

- Capacity 30L
- Optional Mop Kits - DTK1 / DTK2 / DTK3 / DTK11G / DTK12G
- Vertical Press available with / without foam insert
- 410x560x800mm (WxLxH)

CAPACITY CLEAN (L)	18	CASTOR SIZE (MM)	4 x 75
CAPACITY DIRTY (L)	12	PRESS	Vertical



MMB1616

- Optional Mop Kits - DTK1 / DTK2 / DTK3 / DTK11G / DTK12G
- Vertical Press available with / without foam insert
- Optional Handle
- 510x680x1020mm (WxLxH)

CAPACITY CLEAN (L)	16	CASTOR SIZE (MM)	4 x 75
CAPACITY DIRTY (L)	16	PRESS	Vertical



TM2815

- Optional Mop Kits - DTK1 / DTK2 / DTK3 / DTK11G / DTK12G
- Vertical Press available with / without foam insert
- 410x800x1250mm (WxLxH)

MODEL	CADDY (L)	WASTE (L)	WEIGHT (KG)
TM2815	4	No	14
CAPACITY CLEAN (L)	28	CASTOR SIZE (MM)	4 x 75
CAPACITY DIRTY (L)	15	PRESS	Vertical



TM2815W

- Optional Mop Kits - DTK1 / DTK2 / DTK3 / DTK11G / DTK12G
- Vertical Press available with / without foam insert
- 410x800x1125mm (WxLxH)

MODEL	CADDY (L)	WASTE (L)	WEIGHT (KG)
TM2815W	10	30	17
CAPACITY CLEAN (L)	28	CASTOR SIZE (MM)	4 x 75
CAPACITY DIRTY (L)	15	PRESS	Vertical



PolyStatic Gripper Pad

- Disposable PolyStatic Mop "Gripper" Pad



PolyStatic Mop Dusters

- Pack of 50 x PolyStatic Mop Cloths (White / Red / Blue / Green / Yellow)
- Carton of 400 x PolyStatic Mop Cloths, (8 x 50) (White / Red / Blue / Green / Yellow)
- C/W 2 x "Gripper" Pads



ECO-Matic Range

NEW

Sustainably engineered from high-quality material, each model in the ECO-Matic range benefits from 100% Structofoam construction, making it tough, easy to clean, and built to last. Designed for enhanced usability, productivity and simplicity, ECO-Matic offers a choice of 6 models to suit any cleaning task or environment.

- Best value cleaning system
- 100% Structofoam construction
- Assembly in under 5 minutes
- Compact and easy to store
- Environmentally sustainable, Re-Flo technology uses the highest quality recycled material



• Image shows EM5 Trolley with SRK16 Kit.
Consumables for illustration purposes only.

Mop Kits

**KIT SRK14**

- 1 x 18L Blue Handle Bucket, Grey C/W Dolly Mop Basket
- Can be used with Optional SprayMop
- Used on: EM1, EM2

**KIT SRK15**

- 1 x 34L Blue Handle Bucket, Grey C/W Dolly Mop Basket
- Used on: EM3, EM5

**KIT SRK16**

- Vertical Press available with / without foam insert
- 1 x 17L Red Handle Bucket, Grey
- 1 x 17L Blue Handle Bucket, Grey
- Used on: EM3, EM5

**EM1**

- Waste 120L
- Shelf Storage
- Castors 4 x 100mm
- 1 x Kit Option SRK14
- Optional SprayMop
- 545x900x1000mm (WxLxH)

**EM2**

- Waste 120L
- 2 x Deep Storage Drawers
- Castors 4 x 100mm
- 1 x Kit Option SRK14
- Optional SprayMop
- 545x900x1000mm (WxLxH)

**EM3**

- Waste 120L
- Shelf Storage
- Castors 4 x 100mm
- 2 x Kit Options SRK15 / SRK16
- 545x1160x1000mm (WxLxH)

**EM4**

- Waste 2 x 120L
- Shelf Storage
- Castors 4 x 100mm
- 545x1230x1000mm (WxLxH)

**EM5**

- Waste 120L
- 2 x Deep Storage Drawers
- Castors 4 x 100mm
- 2 x Kit Options SRK15 / SRK16
- 545x1160x1000mm (WxLxH)

**EM6**

- Waste 2 x 120L
- 2 x Deep Storage Drawers
- Castors 4 x 100mm
- 545x1230x1000mm (WxLxH)

SERVO-Matic Range



- SM1405**
- Waste 120L
 - Castors 4 x 75mm
 - 2 x 5L Buckets
 - 2 x Kit Options
 - 570x835x970mm (WxLxH)



- SM1415**
- Waste 120L
 - Castors 4 x 100mm
 - 2 x 6L Buckets
 - Shelf Storage
 - 7 x Kit Options
 - 570x1090x1115mm (WxLxH)



- SM1705**
- Waste 120 / 2 x 70L
 - Castors 4 x 125mm
 - Optional Buckets 4 x 5L or 2 x 10L
 - Shelf Storage
 - 7 x Kit Options
 - 570x1325x1115mm (WxLxH)

Mop Kits



- KIT SRK0**
- Vertical Press available with / without foam insert
 - 1 x 15L Red Handle Bucket, Grey
 - 1 x 15L Blue Handle Bucket, Grey
 - Used on: SM1405 / 1415 / 1705



- KIT SRK1**
- Vertical Press available with / without foam insert
 - 1 x 17L Red Handle Bucket, Grey
 - 1 x 17L Blue Handle Bucket, Grey
 - 1 x 17L Bucket Support Tray
 - Used on: SM1405 / 1415 / 1705



- KIT SRK2**
- Vertical Press available with / without foam insert
 - 1 x 22L Red Handle Bucket, Grey
 - 1 x 22L Blue Handle Bucket, Grey
 - 1 x Front Bucket Tray
 - Used on: SM1415 / 1705



- KIT SRK3**
- Speedclean Wide Press
 - 1 x 22L Red Handle Bucket, Grey
 - 1 x 22L Blue Handle Bucket, Grey
 - 1 x Front Bucket Tray
 - Used on: SM1415 / 1705



- KIT SRK4**
- 1 x MopMatic 2 Bucket, Grey
 - C/W Set of Colour Coded Discs
 - 1 x 22L Red Handle Bucket, Grey
 - 1 x Front Bucket Tray
 - Used on: SM1415 / 1705



- KIT SRK5**
- 2 x MopMatic 2 Bucket, Grey
 - C/W Set of Colour Coded Discs
 - 1 x Front Bucket Tray
 - Used on: SM1415 / 1705



KIT SRK6

- 2 x MopMatic 2 Bucket, Grey
- C/W Set of Colour Coded Discs
- 1 x 22L Red Handle Bucket, Grey, C/W lid
- MopMatic 2 Hang-on Frame, Nutex
- 1 x Front Bucket Tray
- Used on: SM1415 / 1705



KIT SRK62

- Hood Set
- Lockable



MidMop Option MMB1616

- Vertical Press available with / without foam insert
- 510x680x1020mm (WxLxH)
- Used on: SM1415 / 1705

SERVO-Matic

- Exceptionally tough, Structofoam construction
- Complete range of mopping systems
- Industry colour-coding for effective infection control
- Ergonomic and stylish designs



Door Kit Options



KIT SRK20

- Optional Doors C/W locks and hinges
- Used on: SM1705



KIT SRK27

- Door Graphic Set No.1, Happy Cleaning



KIT SRK28

- Door Graphic Set No.2, Big Ben



KIT SRK29

- Door Graphic Set No.3, Sunflowers

PRO-Matic Range

NEW

The PRO-Matic range offers a 100% configurable cleaning system, increasing operator usability and productivity. With a choice of 9 base units and a wide-range of kits and accessories, no detail goes unmissed; meeting the precise requirements of any user, in any environment, for any application.

Numatic Nu-Design

BESPOKE JANITORIAL

See page 48-49

- Increase cleaning productivity with configurable design
- Structofoam and stainless steel construction
- Environmentally sustainable, Re-Flo technology uses the highest quality recycled material



• Image shows PM30 Trolley with 200mm All-terrain castors, MidMop option and SRK62 Hood. Consumables for illustration purposes only.



PM10
 • Waste 120L / 2 x 70L
 • Optional Castor sizes: 100 / 125 / 200 & Braked
 • Multiple Kit Options
 • 580x972x1073mm (WxLxH)



PM20
 • Waste 120L / 2 x 70L
 • Optional Castor sizes: 100 / 125 / 200 & Braked
 • Multiple Kit Options
 • Optional Doors
 • Optional Storage Drawers
 • 580x1335x1073mm (WxLxH)



PM30
 • Waste 120L / 2 x 70L
 • Optional Castor sizes: 100 / 125 / 200 & Braked
 • Multiple Kit Options
 • Optional Doors
 • Optional Storage Drawers
 • 580x1700x1073mm (WxLxH)

**PM11**

- Waste 120L / 2 x 70L
- Optional Castor sizes: 100 / 125 / 200 & Braked
- Optional Doors
- Optional Storage Drawers
- 580x972x1073mm (WxLxH)

**PM12**

- Waste 2 x 120L / 4 x 70L
- Optional Castor sizes: 100 / 125 / 200 & Braked
- 580x972x1073mm (WxLxH)

**PM21**

- Waste 120L / 2 x 70L
- Optional Castor sizes: 100 / 125 / 200 & Braked
- Optional Doors
- Optional Storage Drawers
- 580x1335x1073mm (WxLxH)

**PM22**

- Waste 2 x 120L / 4 x 70L
- Optional Castor sizes: 100 / 125 / 200 & Braked
- Optional Doors
- Optional Storage Drawers
- 580x1335x1073mm (WxLxH)

**PM31**

- Waste 120L / 2 x 70L
- Optional Castor sizes: 100 / 125 / 200 & Braked
- Optional Doors
- Optional Storage Drawers
- 580x1700x1073mm (WxLxH)

**PM32**

- Waste 2 x 120L / 4 x 70L
- Optional Castor sizes: 100 / 125 / 200 & Braked
- Optional Doors
- Optional Storage Drawers
- 580x1700x1073mm (WxLxH)

Mop Kits**KIT SRK1S**

- Vertical Press available with/without foam insert
- 1 x 17L Red Handle Bucket, Grey
- 1 x 17L Blue Handle Bucket, Grey
- 1 x 17L Bucket Support Tray
- Used on: PM10 / 20 / 30

**KIT SRK2S**

- Vertical Press available with/without foam insert
- 1 x 22L Red Handle Bucket, Grey
- 1 x 22L Blue Handle Bucket, Grey
- 1 x Front Bucket Tray
- Used on: PM10 / 20 / 30

**KIT SRK3S**

- Speedclean Wide Press
- 1 x 22L Red Handle Bucket, Grey
- 1 x 22L Blue Handle Bucket, Grey
- 1 x Front Bucket Tray
- Used on: PM10 / 20 / 30

**KIT SRK4**

- 1 x MopMatic 2 Bucket, Grey
- C/W Set of Colour Coded Discs
- 1 x 22L Red Handle Bucket, Grey
- 1 x Front Bucket Tray
- Used on: PM10 / 20 / 30

**KIT SRK5**

- 2 x MopMatic 2 Bucket, Grey
- C/W Set of Colour Coded Discs
- 1 x Front Bucket Tray
- Used on: PM10 / 20 / 30

**KIT SRK6S**

- 2 x MopMatic 2 Bucket
- C/W Set of Colour Coded Discs
- 1 x 22L Red Handle Bucket, Grey, C/W lid
- MopMatic 2 Hang-on Frame, Stainless Steel
- 1 x Front Bucket Tray
- Used on: PM10 / 20 / 30

Numatic Nu-Design

BESPOKE JANITORIAL

Individual Environments Demand Individual Cleaning Solutions

Finding a janitorial system that fits your needs completely can be a real challenge. Giving total freedom of choice to the user, Nu-Design offers the ultimate solution.

Compatible with desktop and mobile devices.



Poor selection and configuration lowers cleaning standards and productivity.

Nu-Design guides you through the product configuration process, providing a visual output and configuration breakdown at each selection. The result; a reliable, functional and innovative cleaning system that fits your needs precisely.

How it works

1. Select your trolley base and castor options
2. Pick storage options that meet your needs exactly
3. Choose your mopping system, waste options, accessories and personalisation
4. Submit for an itemised breakdown and quote



Visit: www.numatic.com/apps/nu-design

Compact Range



- NC0G**
- Waste 70L
 - 2 x 5L Buckets
 - C/W SprayMop Master and Tray
 - Castors 4 x 80mm
 - 480x545x890mm (WxLxH)



- NC1G**
- Waste 70L
 - 1 x 4L Small Caddy
 - 14L Bucket and Dolly Mop Basket
 - Castors 4 x 80mm
 - Optional Twist Mop
 - 480x545x890mm (WxLxH)



- NC2G**
- Waste 2 x 70L
 - Castors 4 x 80mm
 - 480x545x890mm (WxLxH)



- NC3G**
- Waste 70L
 - 1 x 4L Small Caddy
 - 1 x 10L Large Caddy
 - Castors 4 x 80mm
 - 480x545x890mm (WxLxH)



- NC4G**
- 2 x 4L Small Caddy
 - 2 x 10L Large Caddy
 - Castors 4 x 80mm
 - 480x545x890mm (WxLxH)

NuBag Range



- SAX120PG**
- Waste 120L
 - Castors 4 x 75mm
 - 665x500x910mm (WxLxH)



- NX1001**
- Bag Capacity 100L
 - Castors 4 x 75mm
 - 390x460x960mm (WxLxH)



- NX1501**
- Bag Capacity 150L
 - Castors 4 x 75mm
 - 460x760x760mm (WxLxH)



- NX1002**
- Bag Capacity 2 x 100L
 - Castors 4 x 75mm
 - 460x760x960mm (WxLxH)



Compact Carousel Range

- Convenient and user-friendly
- Compact and easy-to-store
- Detachable colour-coded caddies



NX2001

- Bag Capacity 200L
- Castors 4 x 75mm
- 460x760x960mm (WxLxH)



NX2401

- Bag Capacity 240L
- Castors 4 x 75mm
- 550x780x960mm (WxLxH)



NSX240

- Bag Capacity 2 x 120L
- Castors 4 x 75mm
- 580x780x965mm (WxLxH)



LLT200

- Bag Capacity 2 x 100L
- Castors 4 x 75mm
- 580x780x965mm (WxLxH)



NBT200

- Bag Capacity 1 x 100L + 1 x 200L
- Castors 4 x 75mm
- 580x780x860mm (WxLxH)



NB3002AT

- Bag Capacity 4 x 200L
- Castors 4 x 200mm
- 665x1110x1115mm (WxLxH)



NuKeeper Range



- NKS1**
- Bag Capacity 100L
 - Full Height
 - 2 x Storage Shelves
 - Castors 4 x 100mm
 - 582x998x1352mm (WxLxH)



- NKS2**
- Bag Capacity 2 x 100L
 - Full Height
 - 2 x Storage Shelves
 - Castors 4 x 100mm
 - 582x1420x1352mm (WxLxH)



- NKS1LL**
- Bag Capacity 2 x 100L
 - Low Level (LL)
 - 1 x Storage Shelf
 - Castors 4 x 100mm
 - 582x998x1026mm (WxLxH)



- NKS2LL**
- Bag Capacity 2 x 100L
 - Low Level (LL)
 - 1 x Storage Shelf
 - Castors 4 x 100mm
 - 582x1420x1026mm (WxLxH)



- NKT0**
- Full Height
 - 2 x Twin Storage Shelves
 - Castors 4 x 100mm
 - 582x940x1352mm (WxLxH)



- NKT1**
- Bag Capacity 1 x 100L
 - Full Height
 - 2 x Twin Storage Shelves
 - Castors 4 x 100mm
 - 582x1361x1352mm (WxLxH)



- NKT2**
- Bag Capacity 2 x 100L
 - Full Height
 - 2 x Twin Storage Shelves
 - Castors 4 x 100mm
 - 582x1783x1352mm (WxLxH)



- NKT0LL**
- Low Level (LL)
 - 1 x Twin Storage Shelf
 - Castors 4 x 100mm
 - 582x940x1026mm (WxLxH)



- NKT1LL**
- Bag Capacity 1 x 100L
 - Low Level (LL)
 - 1 x Twin Storage Shelf
 - Castors 4 x 100mm
 - 582x1361x1026mm (WxLxH)

**NKT2LL**

- Bag Capacity 2 x 100L
- Low Level (LL)
- 1 x Twin Storage Shelf
- Castors 4 x 100mm
- 582x1783x1026mm (WxLxH)

**NKU30FF**

- Flexi-Front (FF)
- 1 x Twin Storage Shelf
- Castors 4 x 200mm All-Terrain Wheels
- 667x1116x1205mm (WxLxH)

**NKU30HF**

- Hard-Front (HF)
- Lockable
- Space Saving Bi-fold Doors
- Castors 4 x 200mm All-Terrain Wheels
- 667x1116x1205mm (WxLxH)

**NKU31FF**

- Bag Capacity 1 x 100L
- Flexi-Front (FF)
- 1 x Twin Storage Shelf
- Castors 4 x 200mm All-Terrain Wheels
- 667x1532x1205mm (WxLxH)

**NKU31HF**

- Bag Capacity 1 x 100L
- Hard-Front (HF)
- 1 x Twin Storage Shelf
- Lockable
- Space Saving Bi-fold Doors
- Castors 4 x 200mm All-Terrain Wheels
- 667x1532x1205mm (WxLxH)

**NKU32FF**

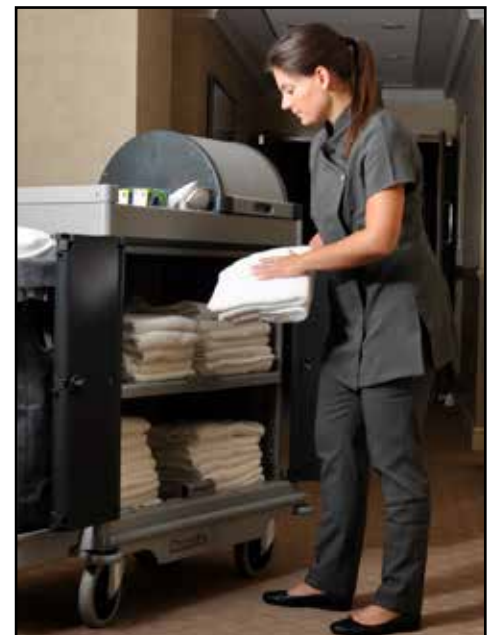
- Bag Capacity 2 x 100L
- Flexi-Front (FF)
- 1 x Twin Storage Shelf
- Castors 4 x 200mm All-Terrain Wheels
- 667x1948x1205mm (WxLxH)

**NKU32HF**

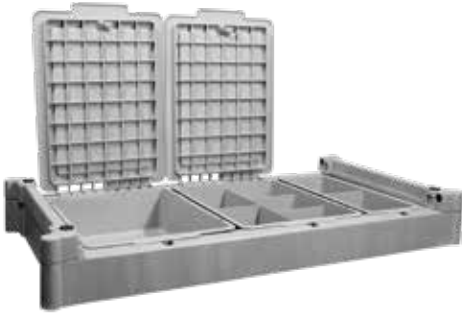
- Bag Capacity 2 x 100L
- Hard-Front (HF)
- 1 x Twin Storage Shelf
- Lockable
- Space Saving Bi-fold Doors
- Castors 4 x 200mm All-Terrain Wheels
- 667x1948x1205mm (WxLxH)

**NKA100P**

- Bag Capacity 1 x 100L
- Optional Moulded Laundry Bag Extension Kit



NuKeeper Top Tray Kits



- NKA1**
- 1 x Tray with Lid
 - 1 x Tray with Divisions and Lid
 - 1 x Half Tray



- NKA2**
- 2 x Tray with Divisions and Lid
 - 1 x Half Tray



- NKA3**
- 2 x Tray with Lid
 - 1 x Half Tray



- NKA4**
- 1 x Tray
 - 1 x Tray with Divisions
 - 1 x Half Tray



- NKA5**
- 2 x Tray
 - 1 x Half Tray



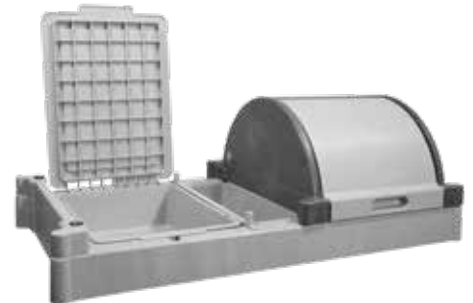
- NKA6**
- 2 x Tray with Divisions
 - 1 x Half Tray



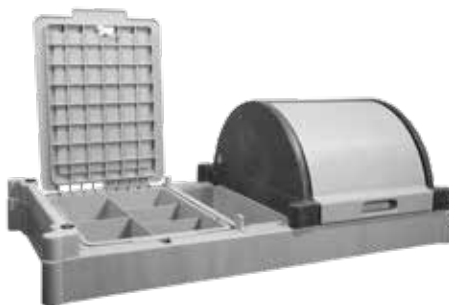
- NKA7**
- 1 x Hood Set
 - 1 x Half Tray



- NKA8**
- 2 x Hood Set
 - 1 x Half Tray



- NKA9**
- 1 x Hood Set
 - 1 x Tray with Lid
 - 1 x Half Tray



- NKA10**
- 1 x Hood Set
 - 1 x Tray with Divisions and Lid
 - 1 x Half Tray



- NKA11**
- 1 x Hood Set
 - 1 x Tray
 - 1 x Half Tray



- NKA12**
- 1 x Hood Set
 - 1 x Tray with Divisions
 - 1 x Half Tray

Optional End Bag Frame Kits



NKA100P
 • Bag Capacity 1 x 100L
 • Optional Moulded Laundry Bag Extension Kit



NKA100PA
 • Bag Capacity 1 x 100L
 • Optional Moulded Laundry Bag Extension Kit



NKA101P
 • Waste 1 x 120L
 • Optional Moulded Full Waste Bag Extension Kit
 C/W 3 Piece Lid Set, Grey



NKA102P
 • Waste 140 / 2 x 70L
 • Optional Moulded Twin Waste Bag Extension Kit
 C/W Split Lid Set, Red / Blue



NKA103P
 • Waste 1 x 120L
 • Optional Moulded Linen Bag Extension Kit
 C/W 3 Piece Lid Set, Grey



NKA140P
 • Waste 1 x 120L
 • Optional Moulded Full Waste Bag Extension Kit
 C/W iPad / Tablet Storage Lid Set, Grey



NKA109U
 • Optional Vacuum Storage Platform and
 Support Frame Kit, Grey
 • All NKS / NKT / NKU Models



NKA111U
 • Optional End Kit
 Twin End Half Tray Kit, Grey
 • All NKS / NKT / NKU Models



NKA112U
 • Optional End Kit
 Twin End Full Tray Kit, Grey
 • All NKS / NKT / NKU Models



NKA120
 • Optional End Kit
 SprayMop Tray Kit, Grey



NKA130U
 • Optional End Kit
 30 Litre Waste Bin Kit, Grey
 • All NKS / NKT / NKU Models



Visit www.numatic.co.uk
 for our range of accessories

Head Office
Numatic International Limited
Chard, Somerset TA20 2GB UNITED KINGDOM

Tel: 01460 68600 www.numatic.co.uk

Numatic International S.A.S
13/17 rue du Valengelier
EAE la Tuilerie, 77500 Chelles
FRANCE

Tel: 01 64 72 61 61
www.numatic.fr

**Numatic International
Schweiz AG.**
Sihlbruggstraße 142
6340 Baar
SCHWEIZ

Tel: 041 768 07 60
www.numatic.ch

Numatic International SLU
La Forja, 41, 08840
Viladecans, Barcelona
SPAIN

Tel: 34 936 472 222
www.numatic.es

Numatic International (Pty.) Ltd.
16th & Pharmaceutical Roads
Midrand, Gauteng, S.A. 1685
SOUTH AFRICA

Tel: 0861 686 284
www.numatic.co.za

Numatic International ULDA
Rua da Boa Viagem, 177
4470 - 210 Moreira Maia
PORTUGAL

Tel: 351 220 047 700
www.numatic.pt

Numatic International GMBH
Fränkische Straße 15-19,
30455 Hannover
DEUTSCHLAND

Tel: 05 11 98 42 16 0
www.numatic.de

Numatic International BV
BeNeLux Distribution
Numatic International BV
Postbus 101
2400 AC Alphen aan den Rijn
NEDERLAND

Tel: 0172 467 999
www.numatic.nl

